



SANTA-FE™
INDOOR AIR QUALITY SOLUTIONS

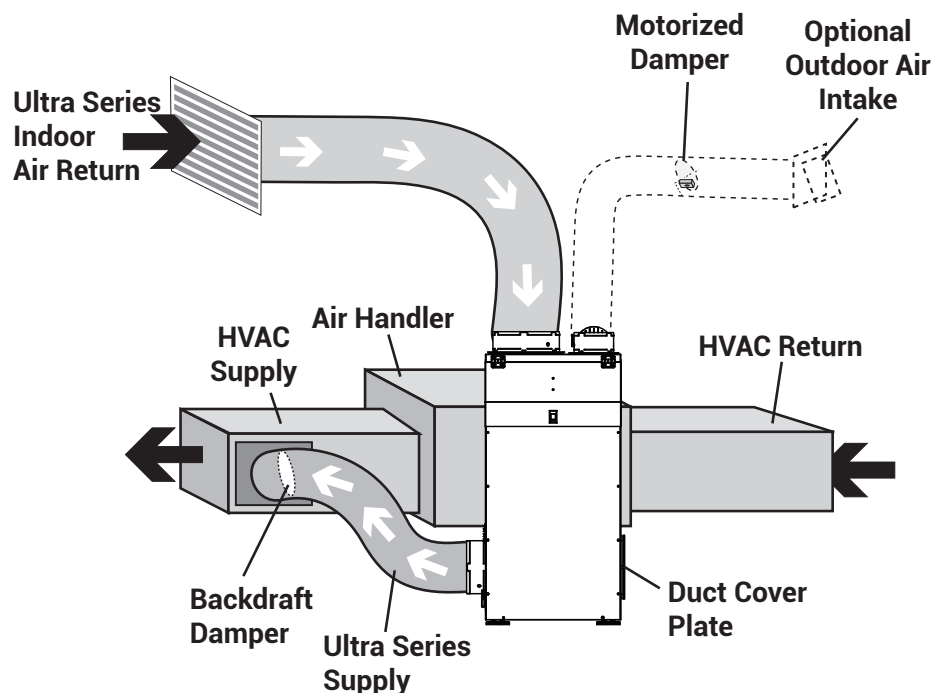
Recommended HVAC System Installation

a. Attic

The recommended installation draws air from a central location through a dedicated return to the dehumidifier and ducts the supply of the dehumidifier to the air supply of the HVAC system. Utilize the optional outdoor air ventilation duct to provide outdoor air.

- Install a dedicated 10" air return for the Santa Fe Ultra120V from a central area of the structure.
- Duct the supply of the Santa Fe Ultra120V to the supply of the HVAC system with a backdraft damper.
- If the existing system has multiple returns, instead of installing a dedicated return to the Santa Fe Ultra120V, it is possible to select one to disconnect from the existing HVAC system and use it for the dedicated Santa Fe Ultra120V return. Select a return from a central location in the house that is always open to the rest of the structure. DO NOT use a return from a room where doors are kept closed.
- DO NOT locate return in a bathroom or kitchen.
- Control should be located remotely from the dehumidifier and placed in a central location.

Dedicated Santa Fe Return to HVAC Supply



b. Installation in a Basement or Crawlpace

Install a separate 8" return for the Ultra120V in a central area of the structure. Duct the supply of the dehumidifier to the air supply of the HVAC system with a backdraft damper.

Optional: Duct the supply of the Ultra120V to a 8" x 8" x 8" tee/damper with a gravity draft damper, adjusted to 20% open to the basement. CAUTION: Air takes the path of least resistance. If the upper levels of the living space are not receiving the appropriate amount of dry air, this damper may need to be adjusted. When the dehumidifier is not running, there is a chance that air from the basement or crawlspace will make its way back through the gravity damper and into the living space.

