

# INSTALLATION INSTRUCTIONS

**Español**  
**Versión**  
**La Página**  
**26**



The **Santa Fe Ultra70** is a ventilating dehumidifier that integrates with the heating and cooling system to provide the ultimate in comfort, health and property protection through:

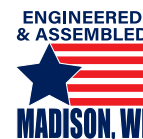
- + Dehumidification
- + Outdoor Air Ventilation (Optional)
- + MERV-13 Air Filtration

\* Previously the Ultra Aire 70H.

Serial Number \_\_\_\_\_

Install Date \_\_\_\_\_

Sold By \_\_\_\_\_



Patent: [thermastor.com/patents](http://thermastor.com/patents)



Safety Instructions.....	3
Assembly & Installation .....	4
Dehumidifier Set Up .....	5-6
Attaching Duct Collars .....	7
Electrical Requirements .....	8
Drain Installation.....	9
Ducting to HVAC Systems	
Recommended HVAC System Installation .....	11-12
Alternative HVAC System Installation.....	13-14
Ducting to HVAC Systems (Closet Installations)	
Recommended Closet Installation.....	15
Alternative Closet Installation .....	16
Outdoor Air Ventilation .....	17
Determine Ventilation Requirements.....	18
Controls .....	19-20
Air Filtration.....	21
MERV Rating Chart .....	22
Service .....	23-24
Warranty .....	25
Spanish Version .....	26

**FOR REPAIR & TECH SUPPORT: 1-800-533-7533 (follow prompts)  
or CONTACT US AT: [service@santa-fe-products.com](mailto:service@santa-fe-products.com)**

Santa Fe is committed to manufacturing quality products. To maintain our standards, product specifications may change without notice.



4201 Lien Road, Madison, WI 53704  
(800) 533-7533  
Thermastor.com | Santa-Fe-Products.com  
© 2019 Therma-Stor LLC



## **WARNING!**

THIS SYMBOL MEANS IMPORTANT INSTRUCTIONS. FAILURE TO HEED THEM CAN RESULT IN SERIOUS INJURY OR DEATH.

## **CAUTION!**

THIS SYMBOL MEANS IMPORTANT INSTRUCTIONS. FAILURE TO HEED THEM CAN RESULT IN INJURY OR MATERIAL PROPERTY DAMAGE.

Read the installation, operation and maintenance instructions carefully before installing and operating this device. Proper adherence to these instructions is essential to obtain maximum benefit from the Santa Fe Ultra Series Whole House Ventilating Dehumidifier.

## **WARNING!**

120 VOLTS MAY CAUSE SERIOUS INJURY FROM ELECTRIC SHOCK. DISCONNECT ELECTRICAL POWER BEFORE STARTING INSTALLATION OR SERVICING, AND LEAVE POWER DISCONNECTED UNTIL INSTALLATION OR SERVICE IS COMPLETED.

## **CAUTION!**

READ ALL INSTRUCTIONS BEFORE BEGINNING INSTALLATION.

ALWAYS USE CAUTION AND WEAR CUT RESISTANT GLOVES WHEN HANDLING SHEET METAL.

IMPROPER INSTALLATION MAY CAUSE PROPERTY DAMAGE OR INJURY.

INSTALLATION, SERVICE, AND MAINTENANCE MUST BE PERFORMED BY A QUALIFIED SERVICE TECHNICIAN.

THE DEHUMIDIFIER IS HEAVY. HANDLE WITH CARE AND FOLLOW INSTALLATION INSTRUCTIONS.

NEVER OPERATE A UNIT WITH A DAMAGED POWER CORD. IF THE POWER CORD IS DAMAGED, IT MUST BE REPLACED BY THE MANUFACTURER, ITS SERVICE AGENT, OR A SIMILARLY QUALIFIED PERSON IN ORDER TO AVOID A HAZARD.

THIS APPLIANCE IS NOT INTENDED FOR USE BY PERSONS (INCLUDING CHILDREN) WITH REDUCED PHYSICAL, SENSORY OR MENTAL CAPABILITIES, OR LACK OF EXPERIENCE OR KNOWLEDGE, UNLESS THEY HAVE BEEN GIVEN SUPERVISION OR INSTRUCTION CONCERNING THE USE OF THE APPLIANCE BY A PERSON RESPONSIBLE FOR THEIR SAFETY. CHILDREN SHOULD BE SUPERVISED TO ENSURE THAT THEY DO NOT PLAY WITH THE APPLIANCE.

## REGISTRATIONS



THE SANTA FE ULTRA70 CONFORMS TO UNIFIED STANDARD UL 60335-2-40 AND CSA STANDARD C22.2.60335-2-40.

Brand Name	Individual Model Number	Basic Model Number	Rating Conditions	Integrated Energy Factor (L/kWh)	Capacity (Pint/Day)
Santa Fe	Ultra70	70-W	73F/60%	2.27	55.92



1. Unpack Box.
2. Check that you have all parts:
  - a. Dehumidifier (1)



- b. Leveling feet (4)



- c. Filter - 9"x11"x1" MERV 13 (1)



- d. 8" Round Duct Collars (2)



3. Register warranty at [santa-fe-products.com](https://santa-fe-products.com)



**Read all remaining steps and warnings before continuing.**



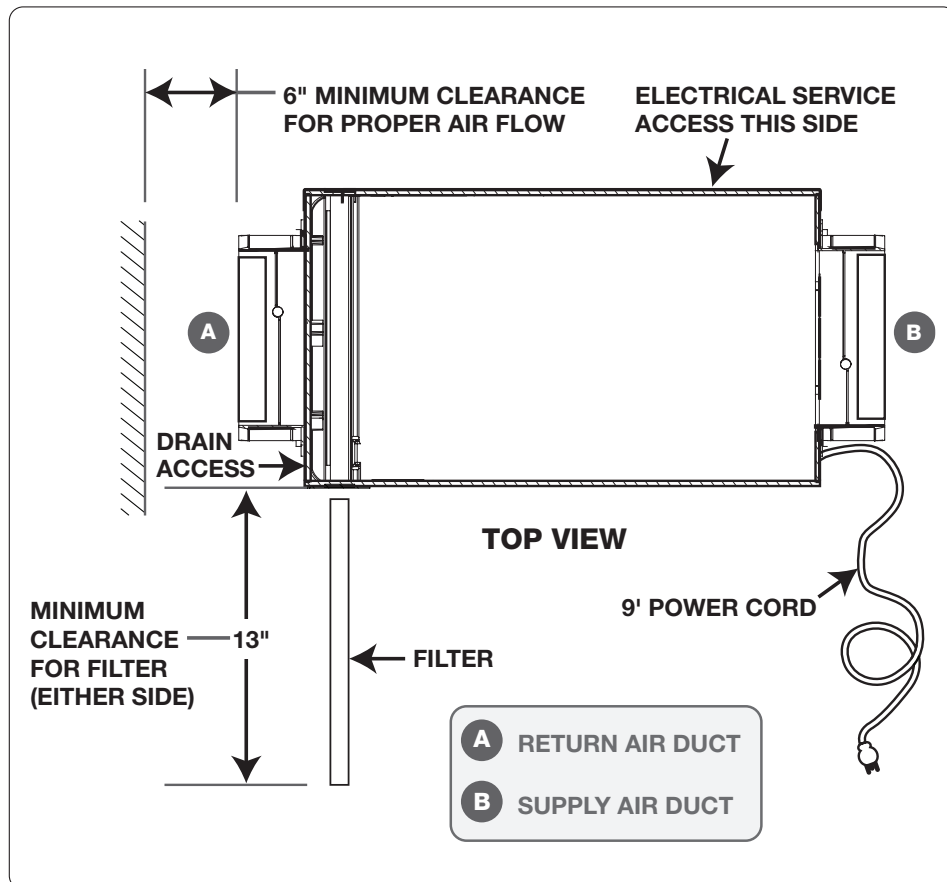
## 1. Important Precautions

- The device is designed to be installed indoors in a space that is protected from rain and flooding.
- Install the unit with enough space to access all sides for maintenance and service. The entire shell needs to be removed in order to do repairs.
- Avoid directing the discharge air at people. The dehumidifier should be used in the upright position.
- If used near a water source; be certain there is no chance the unit could fall into the water or get splashed and that it is plugged into a dedicated circuit and Ground Fault Circuit Interrupter (GFCI) protected outlet.
- DO NOT use the dehumidifier as a bench or table.
- Do not place the dehumidifier directly on structural building members without vibration absorbers or unwanted noise may result. Place the Santa Fe Ultra70 on supports to raise the base of the unit.
- A drain pan with a float switch must be placed under the dehumidifier if installed above a living area or above an area where water leakage could cause damage.



## 2. Location Considerations

- Allow sufficient clearance to handle the unit's overall dimensions as well as the necessary return and supply ductwork to the unit.
- Allow sufficient clearance for filter removal and to prevent airflow obstruction.
- Electrical service access will require the removal of the outside shell. Allow sufficient clearance around the unit.
- Locate the dehumidifier in an area where the unit's 9 ft. cord can easily reach electrical outlet.
- Locate the dehumidifier in an area where field wiring the control (low voltage) to the unit will be possible.
- A back draft damper is required in the supply duct of the Santa Fe Ultra70, especially when connecting to the supply ducting system. The backdraft damper prevents supply air from counter flowing through the Santa Fe Ultra70 when it is not operating. The dehumidifier's location should be chosen to allow installation of this accessory if necessary.
- The Santa Fe Ultra70 may be suspended with the hang kit or a suitable alternative from structural members, ensuring the assembly supports the dehumidifier's base in its entirety. Do not hang the Santa Fe Ultra70 from its' cabinet.
- Allow for proper drainage and routing of needed drain pipes.





### 1. Outdoor Air Ventilation Duct

Outdoor air ventilation is optional. If setting up the unit to provide outdoor air ventilation, see page 10.

### 2. Return Air Inlet

An 8" diameter duct collar is attached to the unit.

### 3. Supply Air Outlet

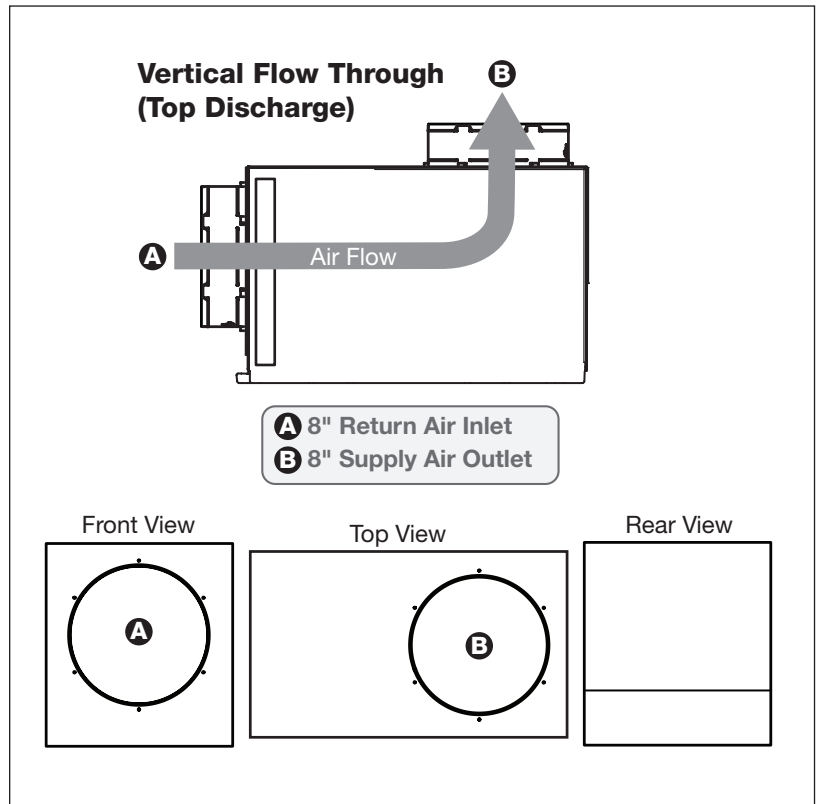
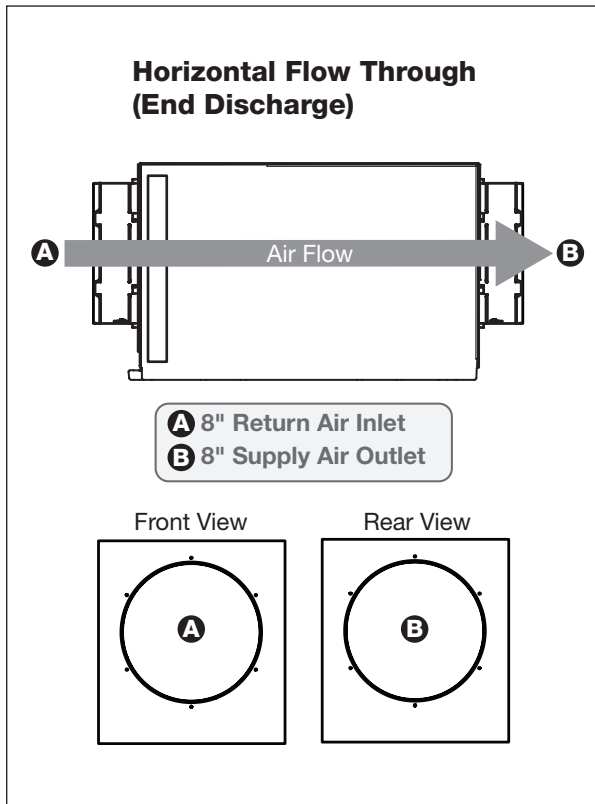
An 8" diameter duct collar is attached to the unit. The back panel of the dehumidifier can be rotated to allow for horizontal flow through or vertical flow through of the supply air.

#### a. Horizontal Flow Through

The unit ships configured for a horizontal flow through.

#### b. Vertical Flow Through

Remove the exhaust panel using a T20 torx bit. Rotate the panel so the exhaust collar is located on the top of the unit. Align screw holes and snap the panel onto the base. Secure the supply panel to the base by replacing the six screws.





The Santa Fe Ultra70 plugs into a common grounded 115VAC outlet and draws 5.1 Amps. Locate the dehumidifier in an area where the unit's 9 ft. cord can easily reach a 115 VAC electrical outlet with a minimum of 15 Amp circuit capacity. If used in an area that may become wet, a GFCI protected circuit is recommended. Consult local electrical codes for any further information.

Santa Fe offers a variety of control devices for use with the Santa Fe Ultra70. The controls are to be located remotely from the dehumidifier and placed in the space to be conditioned. Low voltage (24 Volt) controls can be used with the Santa Fe Ultra70 and MUST be connected with low voltage (18-22 gauge) thermostat wire.

## ⚠️ WARNING!

THE REMOTE CONTROLS OF THE SANTA FE ULTRA70 ARE POWERED BY A LOW VOLTAGE CIRCUIT (24VAC) AND MUST NEVER CONTACT OR BE CONNECTED TO A HIGH VOLTAGE CIRCUIT.

## ⚠️ CAUTION!

DO NOT ALLOW THE 24V TERMINAL TO CONTACT THE COM TERMINALS ON THE SANTA FE ULTRA70 OR DAMAGE TO THE TRANSFORMER WILL RESULT.

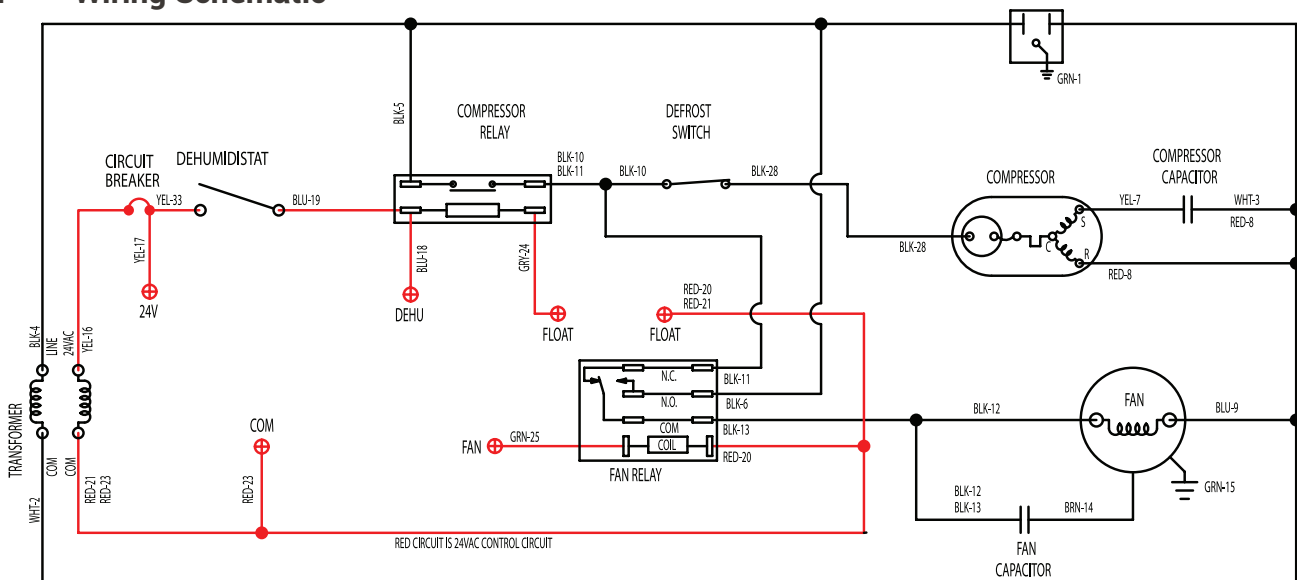
## ⚠️ CAUTION!

SOME OF THE SCREWS TERMINALS ON THE SANTA FE ULTRA70 MAY NOT BE USED WITH CERTAIN CONTROLS AND SHOULD BE LEFT UNCONNECTED.

### 1. Electrical Precautions

- Do not install the control where it may not accurately sense the relative humidity such as near HVAC supply registers, near exterior doors, on an outside wall, near a window, or near a water source.
- The screw terminals on the Santa Fe Ultra70 and the control are labeled to prevent confusion.
- Be sure to consult the electrical schematic in the CONTROLS Section (page 12) of this manual or inside the access panel of the Santa Fe Ultra70 before making control connections.

### 2. Wiring Schematic



4039827 Rev. A





The Santa Fe Ultra70 generates condensate.

Place a secondary drain pan with a float switch under the dehumidifier if it is suspended above a finished area or in an area where water leakage could cause damage.

A drain trap is required for the dehumidifier to run properly (see diagram below). Install a 3/4" threaded male NPT adapter to the drain pan. Install a drain pipe assembly utilizing 3/4" PVC pipe to transport the condensate to a drain. Pitch of drain should be 1" per 10'.

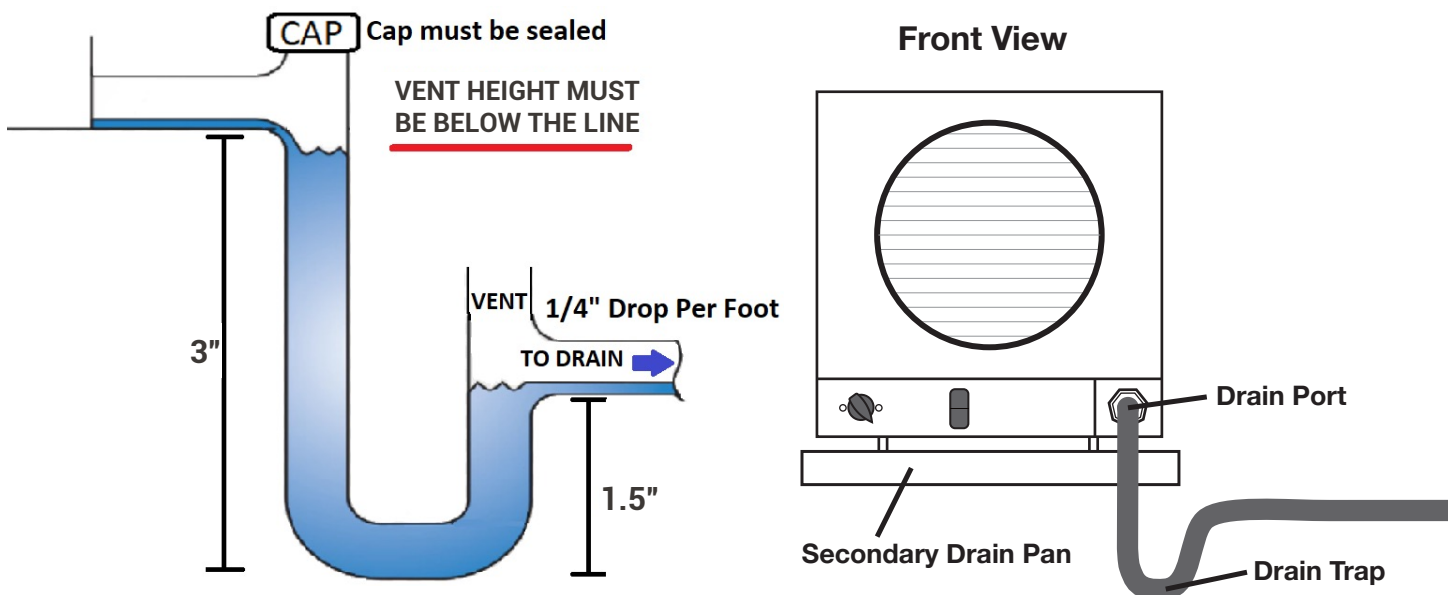
An optional condensate pump kit is available for use with the Santa Fe Ultra70 and may be installed if lift is required to dispose of condensate. Condensate is automatically pumped to a remote location when the water level in the pump's reservoir rises to close the float switch.

The pump also contains a safety float switch. The white leads from this switch extend from beneath the pump cover. This switch should be installed in series with the field wire that connects to the common lead from the Santa Fe Ultra70 to the control panel. If the pump fails, this switch opens the common control circuit and stops water production before the reservoir overflows. Contact a qualified electrician to install the safety float switch to the Santa Fe Ultra70 dehumidifier.

## Drain Installation

Dehumidifiers commonly use a negative air pressure drain pan. This causes air to flow backwards thru the drain system which can cause water to pool inside the dehumidifier and leak. A drain trap prevents this issue by trapping water in the pipe to stop air from flowing backwards.

Please see the trap diagram below. This assembly can be made with common 3/4" PVC pipe fittings. The pipe measurements and placement of the cap and vent are critical to the function of the trap. Once trap is assembled, be sure to fill with water.





## ⚠ CAUTION!

DO NOT CONNECT WITH A STATIC PRESSURE GREATER THAN OR EQUAL TO +0.5 WG.  
CONTACT TECHNICAL SUPPORT AT (800) 533-7533 FOR ADDITIONAL DETAILS.

### Ducting Considerations:

- All flexible ducting connected to the Santa Fe Ultra70 should be UL listed.
- A short piece of flexible ducting on all Santa Fe Ultra70 duct connections is recommended to reduce noise and vibration transmitted to rigid ductwork in the structure.
- Use a minimum 8" diameter round or equivalent rectangular duct for total duct lengths of up to 25'. Use a minimum 10" diameter or equivalent for longer lengths.
- Grills or diffusers on the duct ends must not excessively restrict airflow.
- A length of 8" or more of insulated flex duct or any other vibration isolating material on the outlet of the Santa Fe Ultra70 will reduce air noise from the blower.
- Effective dehumidification may require that ducting be branched to isolated, stagnant air flow areas. When ducting to two or three areas, use 6" or larger diameter branch ducting. When ducting to four or more areas, use 4" - 6" or larger diameter branch ducting. Provisions must be made to provide airflow from supply locations to the central return location. Proper air distribution is important to ensure even humidity control and heat distribution throughout the structure.
- DO NOT locate the return in a bathroom or a kitchen.

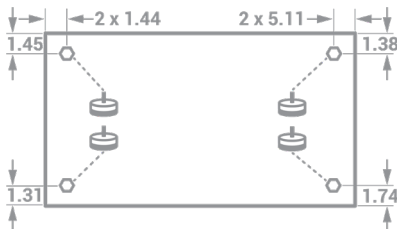
### Decide Where To Place The Unit.

⚠ CAUTION! ALLOW FOR ENOUGH SPACING TO PROPERLY ROUTE YOUR RETURN AND SUPPLY CONNECTION

### Choose Weather To Place On Floor Or Hang Dehumidifier.

⚠ CAUTION! INTERNAL STOPS LIMIT FEET HEIGHT. DO NOT TIGHTEN FEET BEYOND THE RESISTANCE PROVIDED BY STOPS.

- a. **If You Place On Floor**  
Attach leveling feet and use vibration pads and/or risers.



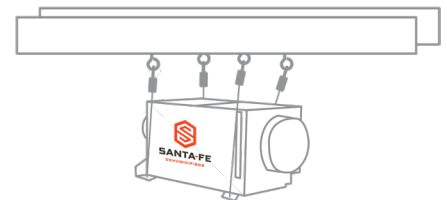
- b. **If You Hang Dehumidifier**  
Use 2 Brackets\* Per Unit.

\* Brackets sold separately.



\* NOTE: LEVELING FEET HOLD BRACKET IN PLACE

### Example Of Hanging Option:





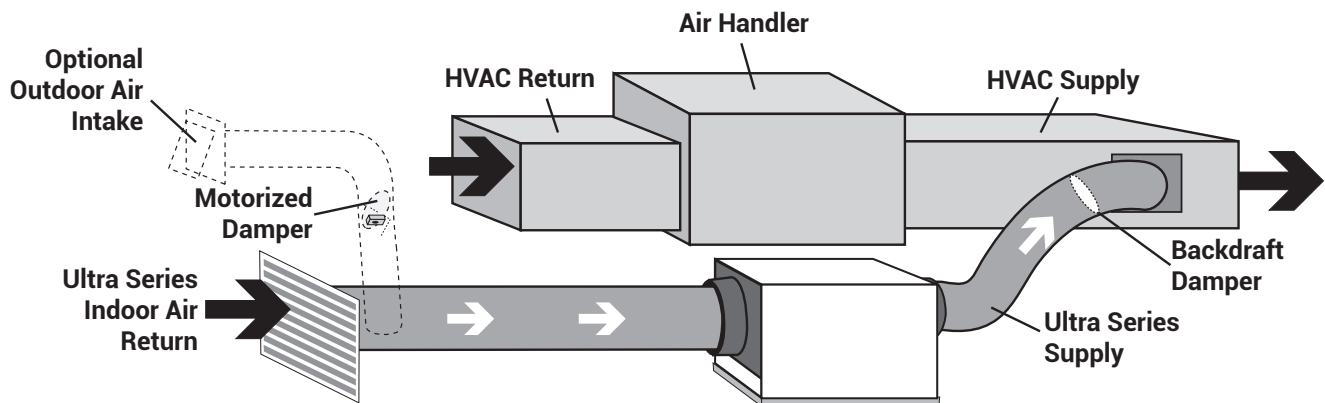
## 1. Recommended HVAC System Installations

### a. Attic

The recommended installation draws air from a central location through a dedicated return to the dehumidifier and ducts the supply of the dehumidifier to the air supply of the HVAC system. Utilize the optional outdoor air ventilation duct to provide outdoor air.

- Install a dedicated 8" air return for the Santa Fe Ultra70 from a central area of the structure.
- Duct the supply of the Santa Fe Ultra70 to the supply of the HVAC system with a backdraft damper.
- If the existing system has multiple returns, instead of installing a dedicated return to the Santa Fe Ultra70, it is possible to select one to disconnect from the existing HVAC system and use it for the dedicated Santa Fe Ultra70 return. Select a return from a central location in the house that is always open to the rest of the structure. DO NOT use a return from a room where doors are kept closed.
- DO NOT locate return in a bathroom or kitchen.
- Control should be located remotely from the dehumidifier and placed in a central location.

### Dedicated Santa Fe Return to HVAC Supply

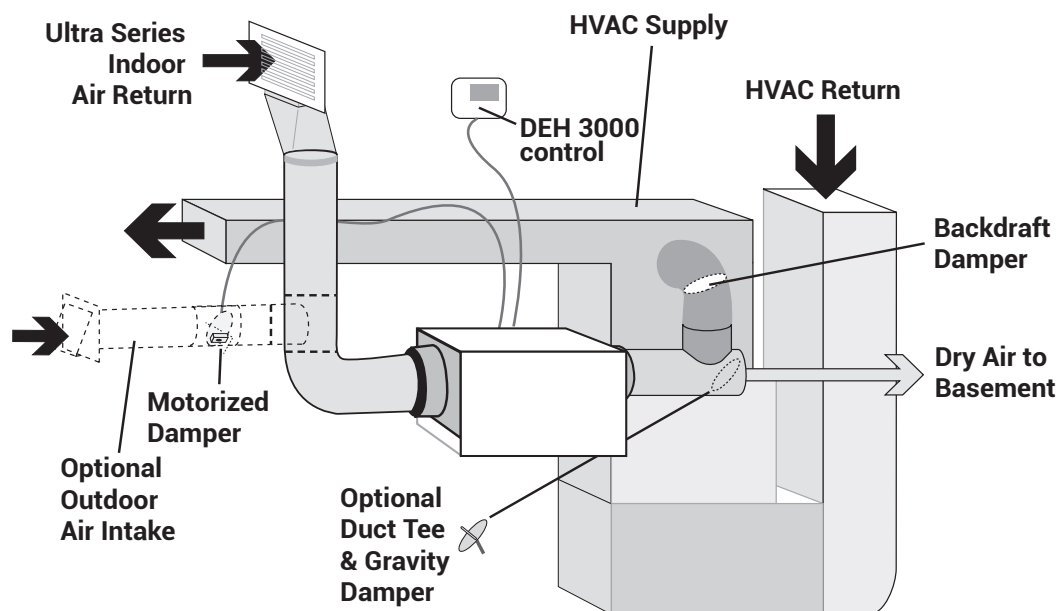




### b. Installation in a Basement or CrawlSpace

Install a separate 8" return for the Ultra70 in a central area of the structure. Duct the supply of the dehumidifier to the air supply of the HVAC system with a backdraft damper.

**Optional:** Duct the supply of the Ultra70 to a 8" x 8" x 8" tee/damper with a gravity draft damper, adjusted to 20% open to the basement. **CAUTION:** Air takes the path of least resistance. If the upper levels of the living space are not receiving the appropriate amount of dry air, this damper may need to be adjusted. When the dehumidifier is not running, there is a chance that air from the basement or crawlspace will make its way back through the gravity damper and into the living space.





## 2. Alternative HVAC System Installation

If the Recommended Dedicated Ultra Series Return to HVAC Supply Installation is not possible, there are several alternative installation options available.

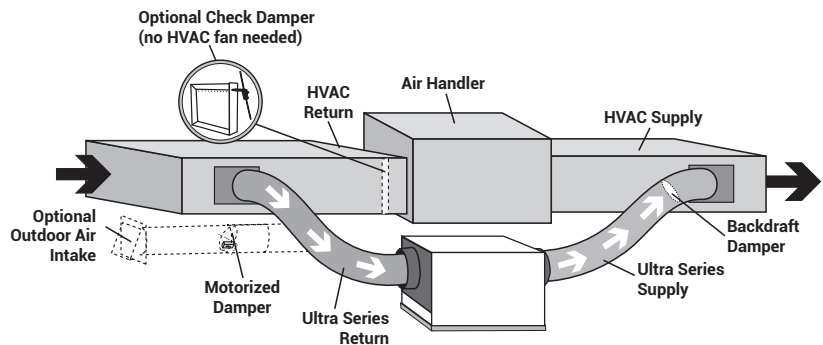
- DO NOT locate return in a bathroom or kitchen.
- Control should be located remotely from the dehumidifier and placed in a central location.
- For basement and crawl space installations, an optional tee can be installed on the Ultra Series Supply.

### a. HVAC Return to HVAC Supply

Check Damper should be in place between the Return and Supply connections of the dehumidifier.

If Check Damper is not in place, the HVAC fan must turn on when the dehumidifier is in operation.

If the system has greater than 0.5" WG the ducting must be reconfigured.

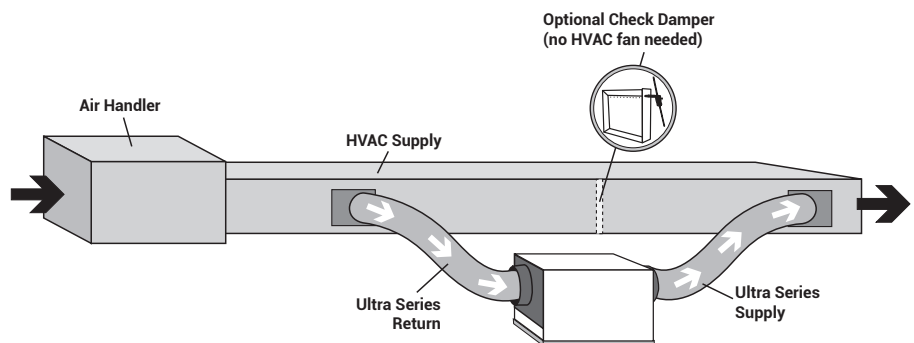


### b. HVAC Supply to HVAC Supply

#### ⚠ CAUTION!

TO AVOID THE DEHUMIDIFIER CYCLING IN AND OUT OF DEFROST, IT IS RECOMMENDED THAT THE LEAVING AIR TEMPERATURE OF THE A/C COIL IS NOT BELOW 55°F. ALSO, THIS INSTALL IS NOT RECOMMENDED FOR CLIMATES WHERE THE HEATING SYSTEM WILL RUN DURING THE SPRING AND FALL TIMES OF THE YEAR, AS THIS COULD DIMINISH THE WATER REMOVAL CAPABILITY OF THE DEHUMIDIFIER.

If Check Damper is not in place, the HVAC fan must turn on when the dehumidifier is in operation.



#### ⚠ WARNING

DUE TO PRESSURE RESISTANCE IT IS NOT RECOMMENDED TO USE THE OPTIONAL OUTDOOR AIR INTAKE WHEN INSTALLING THE DEHUMIDIFIER SUPPLY TO SUPPLY.



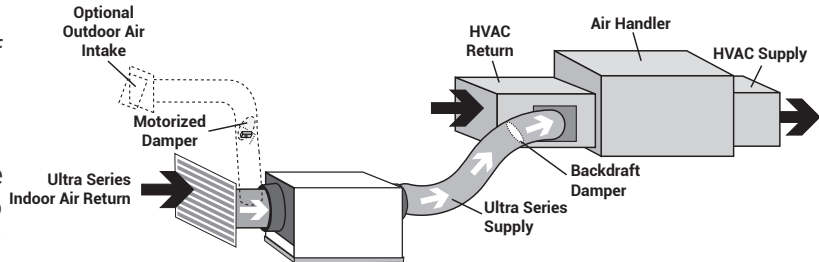
## ⚠ CAUTION!

PLEASE NOTE: RETURN TO RETURN INSTALLS ARE TO BE CONSIDERED LAST RESORT OPTIONS AND ARE NOT RECOMMENDED. THE DEHUMIDIFIER WILL HEAT THE AC COOLING COILS WHICH DIMINISHES THE AMOUNT OF WATER THE AC SYSTEM WILL REMOVE WHEN OPERATING. IF THIS INSTALLATION IS CHOSEN, THE DEHUMIDIFIER MUST ACTIVATE THE HVAC BLOWER AND AC CALLS NEED TO LOCK OUT THE DEHUMIDIFIER FROM RUNNING. PLEASE CHECK YOUR LOCAL CODES PRIOR TO INSTALLING.

### c. Dedicated Ultra Series Return to HVAC Return

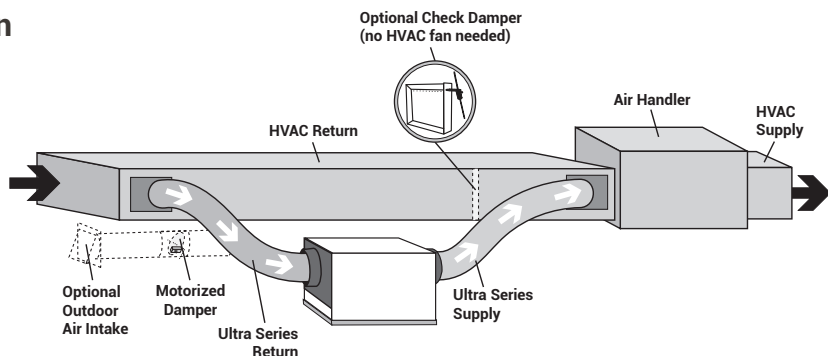
Create a separate return for the Ultra Series Dehumidifier in a central area of the building.

Installing the supply air from the Ultra Series Dehumidifier to the return of the HVAC system requires the HVAC fan to run when the Ultra Series Dehumidifier is operating.



### d. HVAC Return to HVAC Return

If Check Damper is not in place, the HVAC fan must turn on when the dehumidifier is in operation.



### e. No Existing Ductwork Installation

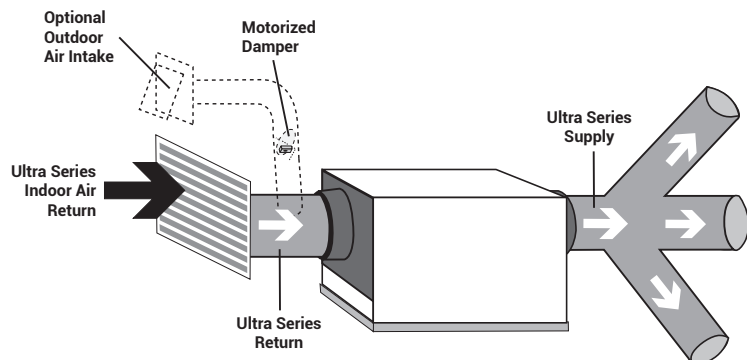
When installing the Ultra Series Dehumidifier in a structure that does not have a forced-air HVAC system or is not being tied into the system, a single return for the Ultra70 should be installed in a central location.

Install a 6" insulated duct from outside, teeing into the 8" return duct of the Ultra Series Dehumidifier to provide outdoor air ventilation (optional).

The supply of the Ultra Series Dehumidifier should be ducted to the rooms in the home that have the ductless mini-split heads and as close to the heads as possible. Be sure to utilize multiple rooms to allow air inside the structure to properly circulate. Proper air distribution is important to ensure even humidity control and heat distribution throughout the structure.

A 6" diameter duct is recommended for branches to bedrooms. An 8" diameter duct is recommended for branches to larger areas.

- DO NOT locate return in a bathroom or kitchen.
- DO NOT locate the supply in rooms where doors may be closed.
- Control should be located remotely from the dehumidifier and placed in a central location.





## ⚠️ WARNING!

WHEN INSTALLING THE DEHUMIDIFIER AS PART OF A COMBUSTION TYPE HVAC SYSTEM (GAS, OIL, PROPANE, ETC.), FOLLOW ALL LOCAL AND NATIONAL BUILDING AND SAFETY CODES.

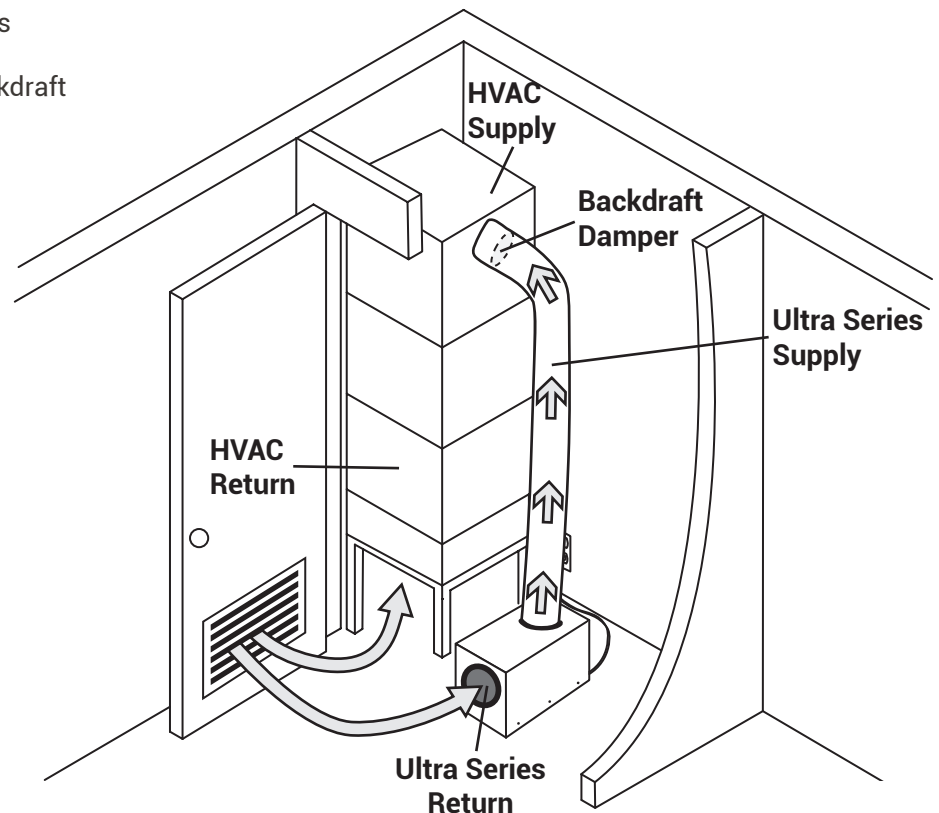
### 1. Recommended Closet Installation

Due to space limitations, a closet installation may require additional considerations. Locate the dehumidifier under or next to the HVAC system as space allows. A passive vent or louver door is required to allow air to be pulled in from the living space.

- No inlet duct is required. Air is pulled through the louvers or grille from the living space.
- Control should be placed in a central location or the onboard control can be used for this installation.
- Where inlet space is restricted, the inlet duct collar is optional.
- Where outlet space is restricted, the outlet duct collar is optional or vertical flow through may be preferred.

### Central Return to HVAC Supply

Duct the supply of the Ultra Series Dehumidifier to the supply of the existing HVAC system with a backdraft damper.





## ⚠ CAUTION!

PLEASE NOTE: RETURN TO RETURN INSTALLS ARE TO BE CONSIDERED LAST RESORT OPTIONS AND ARE NOT RECOMMENDED. THE DEHUMIDIFIER WILL HEAT THE AC COOLING COILS WHICH DIMINISHES THE AMOUNT OF WATER THE AC SYSTEM WILL REMOVE WHEN OPERATING. PLEASE CHECK YOUR LOCAL CODES PRIOR TO INSTALLING.

### 2. Alternative Closet Installation

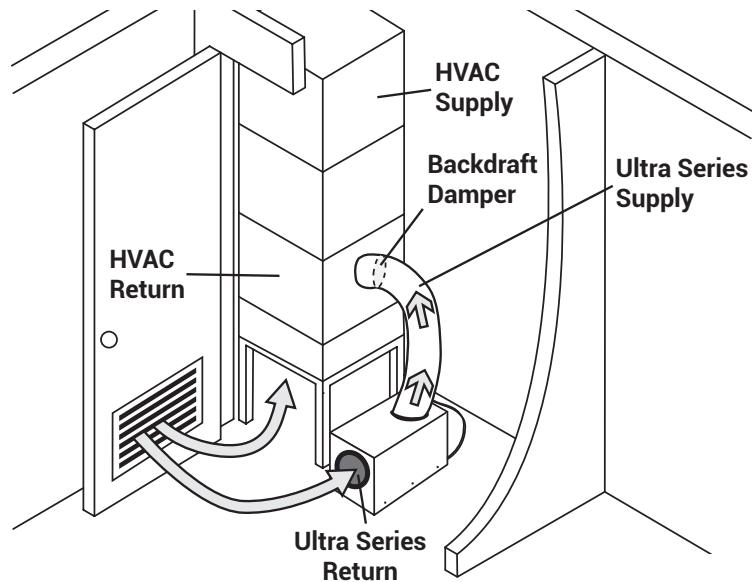
If the Recommended Closet Installation is not possible, there are alternative installation options available.

- No inlet duct is required. Air is pulled through the louvers or grille from the living space.
- Control should be placed in a central location or the onboard control can be used for this installation.

#### a. Central Return to HVAC Return

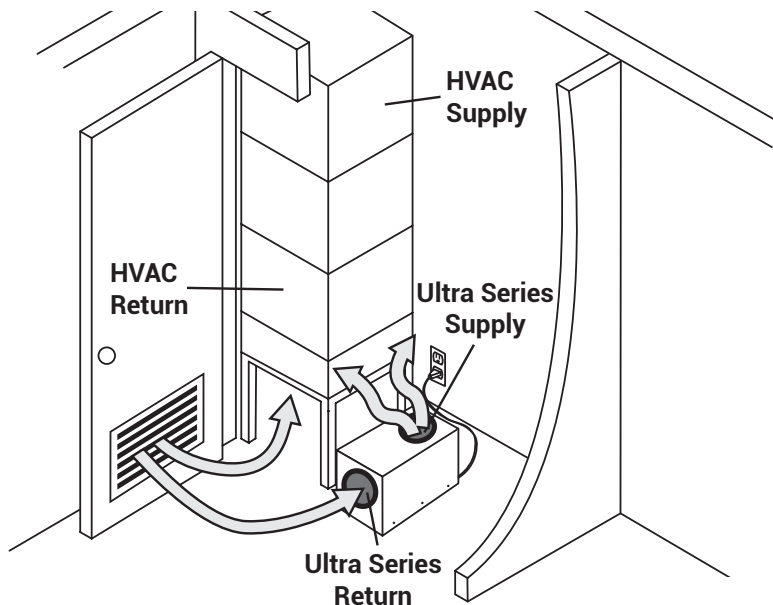
Duct the supply of the Ultra Series Dehumidifier to the return side of the existing HVAC system.

In a central return system, the HVAC fan must run when the dehumidifier is running.



#### b. No Duct - Central Return to HVAC Return

Attach outlet duct with a vertical flow through so air is not discharged into wall or other obstruction. The HVAC system will naturally pull dehumidified air from the closet and distribute it throughout the structure.







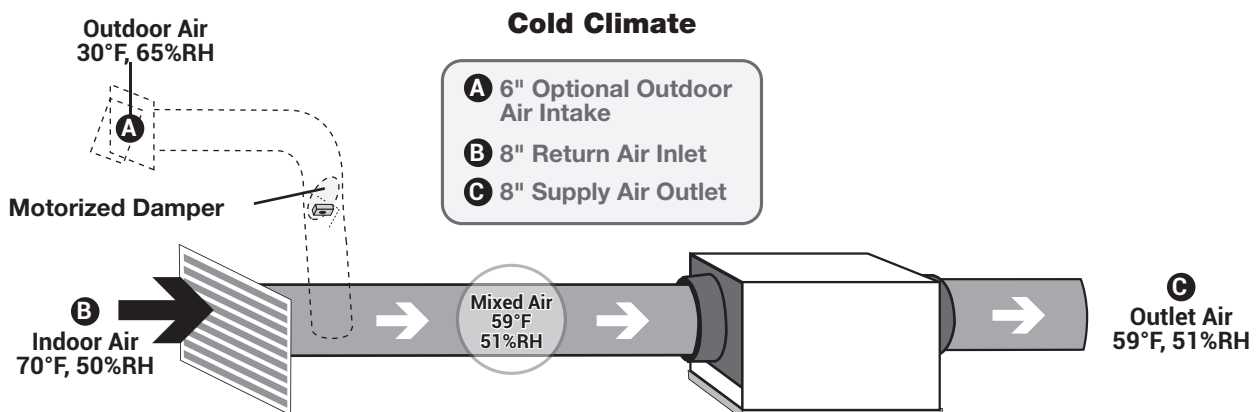
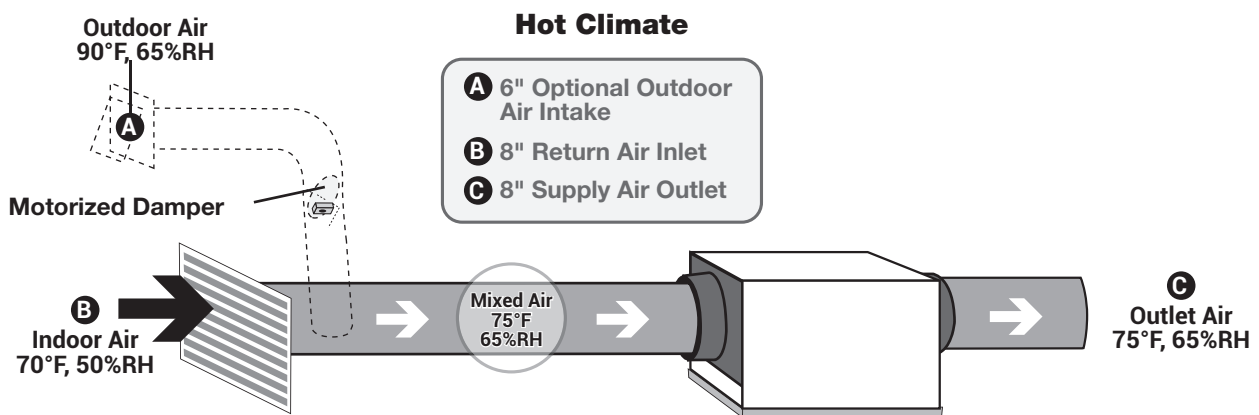
### Outdoor air ventilation is optional.

Outdoor air may be brought into the structure by connecting an insulated duct from outside the structure to a tee located in the inlet duct of the Santa Fe Ultra70. A ventilation control is needed to program the time and frequency that the unit introduces outside air. The time and frequency of ventilation should be based on the size and occupancy of the residence.

- The 6" outdoor air ventilation duct should tee into the 8" round collar on the front of the Santa Fe Ultra70.
- An insulated 6" diameter duct can provide up to 55 CFM of outside air.
- Performance of the Santa Fe Ultra70 can be impacted by inside and outside air conditions.
- When a 6" motorized damper is used, a digital control is required.
- It may be necessary to use 8" duct work if additional outdoor air is required.
- In cold climates or at times when the dew point is low, ventilation can be used to dehumidify the structure, making the Santa Fe Ultra70 capable of year-round drying.

### 1. Outdoor Air Ventilation With Dehumidifier Off and Fan Only Operation

Outside air mixes with return air prior to beginning the dehumidification process. Outside and inside temperature and relative humidity will impact the combined outlet air conditions.





### 1. Determine Ventilation Requirements

The MINIMUM ventilation requirement is calculated using ASHRAE 62.2-2016. Use one or both of the options below to determine your ventilation requirement. Follow all local and national building and safety codes.

#### Option 1: Calculating Airflow Requirement Using ASHRAE 62.2-2016 Airflow Equation

ASHRAE Airflow in CFM = [House Area in Sq.Ft. x 0.03] + [(Number of Bedrooms + 1) x 7.5]

NOTE: Use 'Number of Bedrooms + 1' or 'Number of Occupants', whichever is larger.

Example 1: Number of Bedrooms + 1

1800 square foot house with 3 bedrooms, 4 occupants = [1800 X 0.03] + [(3+1) X 7.5] = 84 CFM

Example 2: Number of Occupants

1800 square foot house with 3 bedrooms, 5 occupants = [1800 X 0.03] + [5 X 7.5] = 91.5 CFM

Record the required CFM \_\_\_\_\_

#### Option 2: Calculating Airflow Requirement Using Table 4.1 from ASHRAE 62.2-2019

##### Ventilation Air Requirements, CFM

Floor Area (ft <sup>2</sup> )	Number of Bedrooms				
	1	2	3	4	5
<500	30	38	45	53	60
501-1000	45	56	60	68	75
1001-1500	60	68	75	83	90
1501-2000	75	83	90	98	105
2001-2500	90	98	105	113	120
2501-3000	105	113	120	128	135
3001-3500	120	128	135	143	150
3501-4000	135	143	150	158	165
4001-4500	150	158	165	173	180
4501-5000	165	173	180	188	195

Table 4.1 from ASHRAE 62.2-2019

Record the required CFM \_\_\_\_\_



The Santa Fe Ultra70 features a built-in dehumidistat control as well as the ability to wire a separate remote mounted control to the unit.

If using the built-in dehumidistat to control the unit, locate the unit in an location where it can accurately sense the humidity of the area where humidity control is desired. Adjust the humidity control so that the unit maintains the desired level of humidity.

If the Santa Fe Ultra70 is located outside of the area where humidity control is desired, consider using a remote wired humidity controller that is located in the area where humidity control is desired. In this configuration the built in dehumidastat should be set to off. Santa Fe offers the DEH 3000 proprietary remote mounted control. The DEH 3000 monitors and controls relative humidity and proper ventilation levels in their home. This control is also available in a version that has remote sensing capability called the DEH 3000R.

**NOTE:** The DEH 3000 is sold separately. Other thermostats are compatible with the Santa Fe Ultra70.

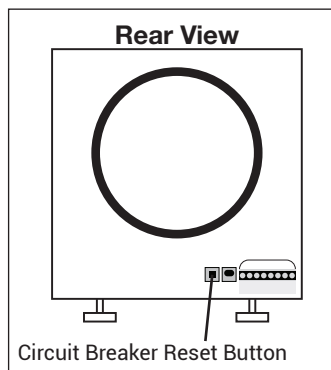
## 1. Wiring Controls

### ⚠ CAUTION!

**DO NOT ALLOW THE 24V TERMINAL FROM THE SANTA FE ULTRA70 TO CONTACT THE COM TERMINAL ON THE SANTA FE ULTRA70 OR DAMAGE TO THE TRANSFORMERS WILL RESULT.**

#### a. Circuit Breaker

To prevent damage to the 24 volt control transformer, the Santa Fe Ultra70 comes with a resettable circuit breaker. Check wiring for any electrical short and repair before resetting breaker. Resetting the circuit breaker without correcting the electrical short may result in transformer damage. Be sure to check the electrical schematic in this manual or inside the access panel of the Santa Fe Ultra70 before making any control connections. The reset button for the circuit breaker can be found on the back of the unit.



#### b. Control Connections

The control and the Santa Fe Ultra70 are labeled to prevent confusion. Depending on the control, some of the screw terminals on the Santa Fe Ultra70 may not be used. Be sure to consult the electrical schematic in this manual or inside the access panel of the Santa Fe Ultra70 before making control connections.





A low voltage control must be used with the Santa Fe Ultra70.

## 2. Terminal Block Control Operation

COM	24VAC Power Transformer Neutral Side
FAN	Fan Control
24V	Transformer High Side
DEHU	Dehumidification (Fan and Compressor) Control
Float	External Low Voltage Float Switch or Water Sensor (Use Normally Closed Switch)
Float	External Low Voltage Float Switch or Water Sensor (Use Normally Closed Switch)

Between the COM lead and the 24V TERMINAL is a 40VA transformer. This low voltage power source powers the relay coils which control the fan and compressors. This 24VAC transformer can also be used to power HVAC accessories external to the dehumidifier.

Compressor ON/Fan On	Make contact between 24V and DEHU terminals
Compressor OFF/Fan On	Make contact between 24V and FAN terminals
Power HVAC Accessory	Connect the accessory to the COM and 24V terminals

NOTE: 18 gauge wire needed between the Santa Fe Ultra70 dehumidifier and the external control.



The Santa Fe Ultra70 is equipped with a MERV-13 (Dimensions: 0.75" x 9.00" x 11.38") air filter. The filter should be checked and replaced every three to six months. Operating the unit with a dirty filter will reduce dehumidifier capacity and efficiency.

DO NOT operate the unit without the recommended filter. Filter non-compliance voids the product warranty.

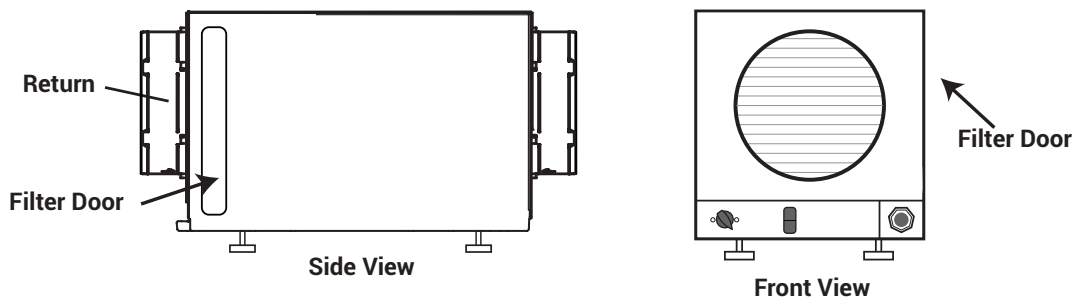
## CAUTION!

MAKE SURE UNIT IS OFF BEFORE CHANGING THE FILTER.

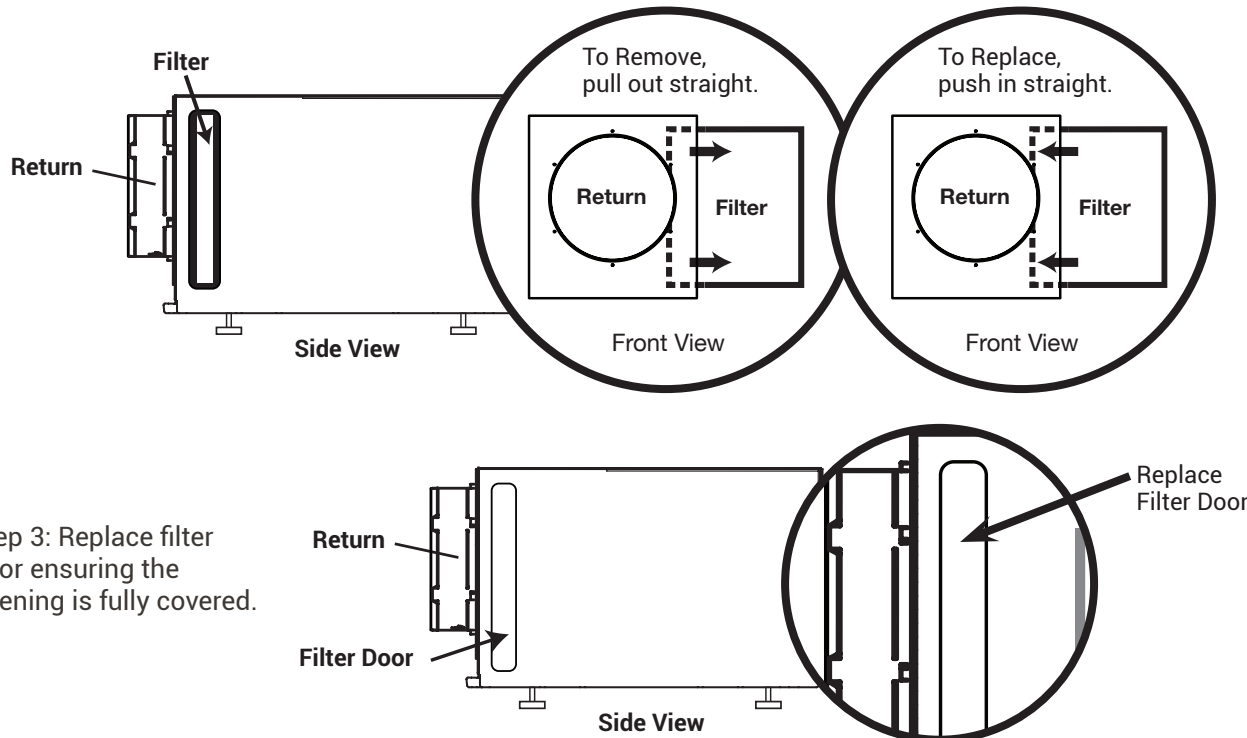
### 1. Changing the Filter

For greatest filtration and efficiency of the Santa Fe Ultra70, it is recommended the air filter be replaced every three to six months with a MERV-13 rated filter.

Step 1: Remove the filter door from one side of the Santa Fe Ultra70 by pushing the snap button in and gently pulling the door away from the unit. Then pull up to disengage the door from the slot.



Step 2: Remove the filter by gently pulling straight out of the unit. Insert new filter by gently pushing it straight into the unit. Make sure the AIR FLOW arrow on the filter is pointing into the unit.



Step 3: Replace filter door ensuring the opening is fully covered.



## 2. MERV Rating Chart

Standard 52.5 Minimum Efficiency Reporting Value	Dust Spot Efficiency	Arrestance	Typical Controlled Contaminant	Typical Applications and Limitations	Typical Air Filter/Cleaner Type
20	n/a	n/a	< 0.30 pm Particle Size	Cleanrooms	≥99.999% eff. On 10-20 pm Particles
19	n/a	n/a	Virus (unattached)	Radioactive Materials	Particles
18	n/a	n/a	Carbon Dust	Pharmaceutical Man.	Particulates
17	n/a	n/a	All Combustion Smoke	Carcinogenic Materials	≥99.97% eff. On 30 pm Particles
16	n/a	n/a	0.30-1.0 pm Particle Size	General Surgery	Bag Filter - Nonsupported
15	>95%	n/a	All Bacteria	Hospital Inpatient Care	Micro Fine Fiberglass or Synthetic media, 12-36 in. Deep, 6-12 Pockets
14	90-95%	>98%	Most Tobacco Smoke	Smoking Lounges	Box Filter - Rigid Style Cartridge
13	89-90%	>98%	Proplet Nuceli (Sneeze)	Superior Commercial Buildings	Filters 6 to 12 in. Deep, May Use Lofted or Paper Media
12	70-75%	>95%	1.0-3.0 pm Particle Size Legionella	Superior Residential	Bag Filter - Nonsupported
11	60-65%	>95%	Humidifier Dust Lead Dust	Better Commercial Buildings	Micro Fine Fiberglass or Synthetic media, 12-36 in. Deep, 6-12 Pockets
10	50-55%	>95%	Milled Flour		Box Filter - Rigid Style Cartridge
9	40-45%	>90%	Welding Fumes	Hospital Laboratories	Filters 6 to 12 in. Deep, May Use Lofted or Paper Media
8	30-35%	>90%	3.0-10.0 pm Particle Size	Commercial Buildings	Pleated Filters - Disposable, Extended Surface Area, Thick with Cotton-Polyester Blend Media, Cardboard Frame
7	25-30%	>90%	Mold Spores Hair Spray	Better Residential	Cartridge Filters - Graded Density Viscous Coated Cube or Pocket Filters, Synthetic Media
6	<20%	85-90%	Fabric Protector Dusting Aids		Throwaway - Disposable Synthetic Panel Filter
5	<20%	80-85%	Cement Dust Pudding Mix	Paint Booth Inlet	
4	<20%	75-80%	>10.0 pm Particle Size Pollen	Minimal Filtration	Throwaway - Disposable Synthetic Panel Filter
3	<20%	70-75%	Dust Mites Standing Dust	Residential	Washable - Aluminum Mesh
2	<20%	65-70%	Spray Paint Dust		
1	<20%	<65%	Textile Fibers Carpet Fibers	Window A/C Units	Electrostatic - Self Charging Woven Panel Filter


Table Data Source: United States Environmental Protection Agency



## 1. Troubleshooting

### **CAUTION!**

TROUBLESHOOTING SHOULD BE PERFORMED BY A QUALIFIED HVAC TECHNICIAN.

Symptom	Possible Reason	Troubleshooting Procedure
Neither fan nor compressor running. Dehumidification is being called for.	<ol style="list-style-type: none"> <li>1. Dehumidifier unplugged or no power to outlet.</li> <li>2. Humidity control set too high.</li> <li>3. Loose connection in internal or control wiring.</li> <li>4. Defective compressor relay.</li> <li>5. Defective control transformer.</li> </ol>	<p> <b>WARNING!</b>  <b>ELECTRICAL SHOCK HAZARD:</b>  <b>Electrical power must be present to perform some tests. These tests should be performed by a qualified service person.</b>  <b>Troubleshooting Procedure for Control Related Issues</b>            This method of diagnosis will test the 3 main components of the control circuit individually to indicate any potential problems. This is to be used when the control will not activate the main unit.</p> <ol style="list-style-type: none"> <li>1. Detach field control wiring connections from the terminals on the main unit.</li> <li>2. Connect the 24V and FAN terminals together; only the fan should run. Disconnect the terminals.</li> <li>3. Connect the 24V and DEHU terminals together; fan and compressor should run. Disconnect the terminals.</li> <li>4. If this test works, the main unit is working correctly from a control standpoint.</li> <li>5. Reconnect field control wiring to the terminals on the main unit.</li> <li>6. Remove the control panel cover and detach the field wiring from the control connections.</li> <li>7. Connect the 24V and FAN terminals together; only the fan should run. Disconnect the terminals.</li> <li>8. Connect the 24V and DEHU terminals together; fan and compressor should run. Disconnect the terminals.</li> <li>9. If this test works, then the field control wiring is ok.</li> <li>10. If the problem persists, then the control is most likely faulty.</li> </ol>
Compressor is not running. Dehumidification is being called for. Fan is running.	<ol style="list-style-type: none"> <li>1. Defective compressor run capacitor.</li> <li>2. Loose connection in compressor circuit.</li> <li>3. Defective compressor overload.</li> <li>4. Defective compressor.</li> <li>5. Defrost thermostat open.</li> </ol>	
Compressor cycles on and off. Dehumidification is being called for.	<ol style="list-style-type: none"> <li>1. Low ambient temperature and/or humidity causing unit to cycle through defrost mode.</li> <li>2. Defective compressor overload.</li> <li>3. Defective compressor.</li> <li>4. Defrost thermostat defective.</li> <li>5. Dirty air filter(s) or air flow restricted.</li> <li>6. Defective fan or relay.</li> </ol>	
Fan is not running. Dehumidification or fan is being called for.	<ol style="list-style-type: none"> <li>1. Loose connection in fan circuit.</li> <li>2. Obstruction prevents fan impeller rotation.</li> <li>3. Defective fan.</li> <li>4. Defective fan relay.</li> </ol>	



## Troubleshooting (Continued)

Symptom	Possible Reason	Troubleshooting Procedure
Low dehumidification capacity (evaporator is frosted continuously). Dehumidification is being called for.	<ol style="list-style-type: none"> <li>1. Defrost thermostat loose or defective.</li> <li>2. Low refrigerant charge.</li> <li>3. Dirty air filter(s) or air flow restricted.</li> <li>4. Excessively restrictive ducting connected to unit.</li> </ol>	<p><b>WARNING!</b>  <b>ELECTRICAL SHOCK HAZARD:</b>  <b>Electrical power must be present to perform some tests. These tests should be performed by a qualified service person.</b>  <b>Troubleshooting Procedure for Control Related Issues</b>            This method of diagnosis is used to function check the internal components in the dehumidifier. This is to be used when a performance issue is suspected.</p>
No ventilation. Ventilation is being called for.	<ol style="list-style-type: none"> <li>1. Loose connection in ventilation control circuit.</li> <li>2. Loose connection in damper power circuit.</li> <li>3. Defective outdoor air damper.</li> </ol>	<ol style="list-style-type: none"> <li>1. Set the humidity controller all the way to the most humid setting or off position – Did the unit shut off?</li> <li>2. If yes, turn the fan setting to the ON position – does the fan start?</li> <li>3. If fan starts, leave in the fan ON position and set the humidity all the way to driest setting. May have to wait 5 minutes for the compressor to start.</li> </ol>
Dehumidifier removes some water, but not as much as expected.	<ol style="list-style-type: none"> <li>1. Air temperature and/or humidity have dropped.</li> <li>2. Humidity meter and or thermometer used are out of calibration.</li> <li>3. Unit has entered defrost cycle.</li> <li>4. Dirty air filter(s) or air flow is restricted.</li> <li>5. Defective defrost thermostat.</li> <li>6. Low refrigerant charge.</li> <li>7. Air leak such as loose cover or ducting leaks.</li> <li>8. Defective compressor.</li> <li>9. Restrictive ducting.</li> </ol>	<ol style="list-style-type: none"> <li>4. Listen for a distinct buzzing/humming sound of a compressor starting up – do you hear this noise?</li> <li>5. If compressor is running and continues to run, after about 15 minutes you should feel a slight increase in air temperature being discharged out of the discharge air side of the unit.</li> <li>6. If so, depending on your environmental conditions (temp/Rh%), you should see some water production out of the hose within 30 minutes or so. (Note: If the room temperature is 55 degrees or below and/or in area of low relative humidity, the dehumidifier will produce little to no water.)</li> <li>7. Collecting the water removed in a 24 hour period will give a measurement of performance.</li> </ol>

## 2. Refrigerant Charging

### **WARNING!**

**SERVICING THE SANTA FE ULTRA70 WITH ITS HIGH PRESSURE REFRIGERANT SYSTEM AND HIGH VOLTAGE CIRCUITRY PRESENTS A HEALTH HAZARD WHICH COULD RESULT IN DEATH, SERIOUS BODILY INJURY, AND/OR PROPERTY DAMAGE. SERVICE MUST BE PERFORMED BY A QUALIFIED SERVICE TECHNICIAN.**

If the refrigerant charge is lost due to service or a leak, the leak should be repaired and a new charge must be accurately weighed in. If any of the old charge is left in the system, it must be recovered before weighing in the new charge. Refer to the unit nameplate for the correct charge weight and refrigerant type.





Limited Warranty. Therma-Stor, LLC ("Therma-Stor") warrants as follows: (i) the Santa Fe Ultra70 dehumidifier ("Product") will be free of material defects in workmanship or materials for a period of two (2) years ("Two-Year Warranty") following the date of initial purchase of such Product by an original customer purchasing from Therma-Stor or an authorized reseller ("Customer"); and (ii) the Product's components will be free of material defects in workmanship or materials for a period of six (6) years following the date of initial purchase of such Product by a Customer.

Limitation of Remedies. CUSTOMER'S SOLE AND EXCLUSIVE REMEDY UNDER THE ABOVE LIMITED WARRANTY AND THERMA-STOR'S ENTIRE LIABILITY THEREUNDER, SHALL BE, AT THE SOLE OPTION OF THERMA-STOR, REPLACEMENT OR REPAIR OF SUCH PRODUCT OR ITS COMPONENTS ("COMPONENTS") BY THERMA-STOR OR THERMA-STOR'S AGENTS ONLY. REFRIGERANT, PIPING, SUPPLIES, TRANSPORTATION COSTS, LABOR COSTS INCURRED IN REPAIR OR REPLACEMENT OF SUCH COMPONENTS ARE NOT INCLUDED. THIS DISCLAIMER AND EXCLUSION SHALL APPLY EVEN IF THE EXPRESS WARRANTY AND LIMITED REMEDY SET FORTH HEREIN FAILS OF ITS ESSENTIAL PURPOSE. CUSTOMER ACKNOWLEDGES THAT NO REPRESENTATIVE OF THERMA-STOR OR OF ITS AFFILIATES OR RESELLERS IS AUTHORIZED TO MAKE ANY REPRESENTATION OR WARRANTY ON BEHALF OF THERMA-STOR OR ANY OF ITS AFFILIATES OR RESELLERS THAT IS NOT IN THIS AGREEMENT. Notwithstanding the above, during the term of the Two-Year Warranty only, Therma-Stor will provide, free of charge to Customer, all Components and labor (except costs related to removal and installation of Product) required to fulfill its obligations under such Two-Year Warranty.

Disclaimer of Warranties. EXCEPT FOR ABOVE LIMITED WARRANTY, WHICH IS THE SOLE AND EXCLUSIVE WARRANTY PROVIDED WITH RESPECT TO THE PRODUCT AND ITS COMPONENTS, THERMA-STOR HEREBY DISCLAIMS ALL EXPRESS AND IMPLIED WARRANTIES, INCLUDING, WITHOUT LIMITATION, THE IMPLIED WARRANTIES OF MERCHANTABILITY AND FITNESS FOR A PARTICULAR PURPOSE.

Warranty Limitations. The foregoing limited warranty extends only to a Customer and shall be null and void upon attempted assignment or transfer. A "defect" under the terms of the limited warranty shall not include problems resulting from Customer's or Customer's employees', agents', invitees' or a third party's misuse, improper installation, improper design of any system in which the Product is included, abuse, lack of normal care, failure to follow written instructions, tampering, improper repair, or freezing, corrosion, acts of nature or other causes not arising out of defects in Therma-Stor's workmanship or material. If a Product or Component is replaced while under warranty, the applicable limited warranty period shall not be extended beyond the original warranty time period. The limited warranty does not cover any costs related to changes to a Product or Component that may be required by any codes, laws, or regulations that may become effective after initial purchase of the Product by Customer.

Customer Responsibilities. As a further condition to obtaining warranty coverage hereunder, the Customer must send a valid warranty claim to Therma-Stor such that Therma-Stor receives such claim prior to the end of the applicable warranty period. Therma-Stor shall have no obligation hereunder with respect to any claim received by Therma-Stor after the expiration of the applicable warranty period. As a further condition to obtaining warranty coverage hereunder, the Customer must present forms of invoices evidencing proof of purchase of a Product. If such invoices do not clearly indicate the date of initial purchase by a Customer, the applicable Product's date of manufacture will be used instead of the date of initial purchase for the purpose of calculating the commencement of the applicable warranty period. Warranty service must be performed by Therma-Stor or a servicer authorized by Therma-Stor. In order to obtain warranty service, the Customer should call Therma-Stor at 1-800-533-7533 and ask for the Therma-Stor Products Service Department, which will then arrange for applicable warranty service. Warranty service will be performed during customary, daytime working hours. If the Product must be shipped for service, Customer shall be solely responsible for properly packaging the Product, for all freight charges, and for all risk of loss associated with shipment.

Limitation of Liability. IN NO EVENT SHALL THERMA-STOR, IN CONNECTION WITH THE DESIGN, SALE, INSTALLATION, USE, REPAIR, REPLACEMENT OR PERFORMANCE OF ANY PRODUCT, COMPONENT, PART THEREOF OR WRITTEN MATERIAL PROVIDED THEREWITH, BE LIABLE, TO THE EXTENT ALLOWED UNDER APPLICABLE LAW, UNDER ANY LEGAL THEORY FOR ANY SPECIAL, DIRECT, INDIRECT, COLLATERAL OR CONSEQUENTIAL DAMAGES OF ANY KIND. NOTWITHSTANDING THE ABOVE LIMITATIONS AND WARRANTIES, THE SOLE AND EXCLUSIVE LIABILITY OF THERMA-STOR, REGARDLESS OF THE NATURE OR THEORY OF THE CLAIM, SHALL UNDER NO CIRCUMSTANCES EXCEED THE PURCHASE PRICE OF THE PRODUCT, COMPONENT OR PART UPON WHICH THE CLAIM IS PREMISED.

Applicable Law and Venue. ANY ARBITRATION, ENFORCEMENT OF AN ARBITRATION OR LITIGATION RELATED TO THE PRODUCT WILL BE BROUGHT EXCLUSIVELY IN DANE COUNTY, WISCONSIN, AND CUSTOMER CONSENTS TO THE JURISDICTION OF THE FEDERAL AND STATE COURTS LOCATED THEREIN, SUBMITS TO THE JURISDICTION THEREOF AND WAIVES THE RIGHT TO CHANGE VENUE. CUSTOMER FURTHER CONSENTS TO THE EXERCISE OF PERSONAL JURISDICTION BY ANY SUCH COURT WITH RESPECT TO ANY SUCH PROCEEDING.

Miscellaneous. If any term or condition of this Limited Warranty is found by a court of competent jurisdiction to be invalid, illegal or otherwise unenforceable, the same shall not affect the other terms or conditions hereof or thereof or the whole of this Limited Warranty. Any delay or failure by Therma-Stor to exercise any right or remedy will not constitute a waiver of Therma-Stor to thereafter enforce such rights.

# INSTRUCCIONES DE INSTALACIÓN



**Santa Fe Ultra70** es un deshumidificador con ventilación que integra los sistemas de ventilación y calefacción para proveer lo último en comodidad, salud y protección de la propiedad mediante:

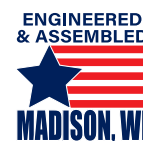
- + Dehumidificación
- + Ventilación de Aire del Exterior (Opcional)
- + MERV-13 Filtración de Aire

\* Anteriormente el Ultra Aire 70H.

Número de Serie

Fecha de Instalación

Vendido por:



Patent: [thermastor.com/patents](http://thermastor.com/patents)



Instrucciones de Seguridad.....	28
Ensamblado e Instalación .....	29
Configuración de Dehumidificador .....	30-31
Conexión de collares de conducto .....	32
Requerimientos Eléctricos.....	33
Instalación de Drenaje .....	34
Conductos a Sistemas HVAC .....	35
Instalaciones Recomendadas del Sistema HVAC.....	36-37
Instalación Alternativa del Sistema HVAC.....	38-39
Conductos a Sistemas HVAC (Instalaciones Cerradas)	
Instalaciones Cerradas Recomendadas.....	40
Instalación Cerrada Alternativa.....	41
Ventilación de Aire Exterior.....	42
Determinar los Requerimientos de Ventilación.....	43
Controles .....	44-45
Filtración de Aire .....	46
MERV Gráfico de calificación .....	47
Servicio .....	48-49
Garantía .....	50

## INSCRIPCIONES



THE SANTA FE ULTRA70 CUMPLE CON EL ESTÁNDAR UNIFICADO UL 60335-2-40 Y EL ESTÁNDAR CSA C22.2.60335-2-40.

**PARA REPARACIONES Y APOYO TÉCNICO: 1-800-533-7533 (siga las instrucciones) o CONTACTENOS US AL: [service@santa-fe-products.com](mailto:service@santa-fe-products.com)**

Santa Fe está comprometido a la fabricación de productos de calidad. A mantener nuestros estándares, las especificaciones de los productos pueden cambiar sin aviso.



4201 Lien Road, Madison, WI 53704  
(800) 533-7533  
Thermastor.com | Santa-Fe-Products.com

© 2019 Therma-Stor LLC

**⚠️ ADVERTENCIA!**

ESTE SIMBOLO SIGNIFICA INSTRUCCIONES IMPORTANTES. FALTA DE ATENCION DE ESTA PUEDE RESULTAR EN SERIAS LESIONES O LA MUERTE

**⚠️ PRECAUCION!**

ESTE SIMBOLO SIGNIFICA INSTRUCCIONES IMPORTANTES. FALTA DE ATENCION DE ESTA PUEDE RESULTAR EN SERIAS LESIONES O LA MUERTE

Lea las intrucciones de instalación, operación y mantenimiento cuidadosamente antes de instalar y operar este equipo. EL cumplimiento adecuado de estas intrucciones es esencial para obtener el máximo beneficio del Dehumidificador de Ventilación de la Casa Completa de Santa Fe Ultra.

**⚠️ ADVERTENCIA!**

UN SHOCK ELECTRICO DE 120 VOLTIOS PUEDE OCASIONAR SERIAS LESIONES Y HERIDAS GRAVES. DESCONECTE EL CABLE DE ALIMENTACION ELECTRICO ANTES DE EMPEZAR LA INSTALACION O EL SERVICIO Y DEJE DESCONECTADO HASTA QUE LA INSTALACION Y EL SERVICIO SEA TERMINADO.

**⚠️ PRECAUCIÓN!**

LEA LAS INSTRUCCIONES ANTES DE EMPEZAR LA INSTALACION.

SIEMPRE TENGA PRECAUCION Y USE GUANTES ANTICORTE CUANDO ESTA MANIPULANDO PLANCHAS DE METAL.

LA INSTALACION INADECUADA PUEDE OCASIONAR DAÑOS A LA PROPIEDAD O LESIONES.

LA INSTALACION, EL SERVICIO Y EL MANTENIMIENTO DEBE SER HECHO POR UN TECNICO CALIFICADO SE SERVICIO.

EL DEHUMIDIFICADOR ES PESADO. MANIPULAR CON CUIDADO Y SEGUIR LAS INSTRUCCIONES DE INSTALACION.

NUNCA OPERE LA UNIDAD CON UN CABLE DE ALIMENTACION DAÑADO. SI EL CABLE DE ALIMENTACION ESTA DAÑADO, DEBE SER REEMPLAZADO POR EL FABRICANTE, EL AGENTE DE SERVICIO O UNA PERSONA CALIFICADA SIMILAR PARA EVITAR PELIGRO.

ESTE APARATO NO ESTA DISEÑADO PARA SER UTILIZADO POR PERSONAS (INCLUYEN NIÑOS) QUE TIENEN CAPACIDADES FISICAS, SENSORIALES Y MENTALES REDUCIDAS O PERSONAS SIN EXPERIENCIA NI CONOCIMIENTO, A NO SER QUE LA PERSONA ENCARGADA SE LE HAYA DADO INSTRUCCIONES Y SUPERVISION DEL USO DEL EQUIPO POR UNA PERSONA RESPONSABLE DE LA SEGURIDAD. LOS NIÑOS DEBEN SER SUPERVISADOS PARA ASEGURARSE QUE NO JUEGUEN CON ESTE APARATO.



1. Desempaque la caja.
2. Verifique que tenga todas las partes:
  - a. Dehumidificador (1)



- b. Nivelador de pies (4)



- c. Filtro - 9"x11"x1" MERV 13 (1)



- d. Collar de conductos circulares de



3. Inscripción de garantía en [santa-fe-products.com](https://santa-fe-products.com)



**Lea todos los pasos restantes y garantías antes de continuar.**



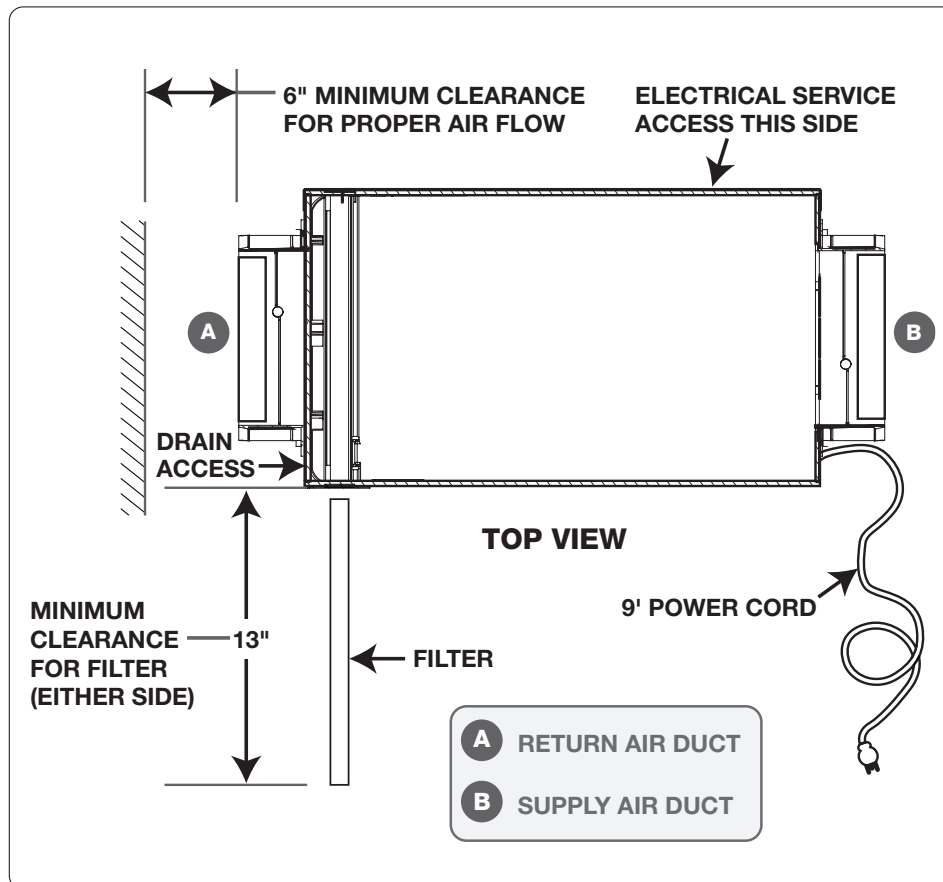
## 1. Precauciones Importantes

- El dispositivo está diseñado para instalarse en interiores, en un espacio protegido de la lluvia e inundaciones.
- Instalea unidad con acceso necesario por todos los lados para mantenimiento y servicio. La tapa completa necesita ser removida para hacer reparaciones.
- Evite dirigir el aire de descarga a los ocupantes. El deshumidificador debe estar en posición vertical.
- Si se usa cerca de una fuente de agua, asegúrese que no haya ninguna posibilidad que la unidad sea salpicada. Conectar la unidad dedicada a un circuito con protección de circuitos con interruptor de falla a tierra (Ground Fault Circuit Protection (GFCI) es recomendado
- NO use el deshumidificador como mesa o mesa de trabajo.
- NO coloque los lados y parte superior e inferior de la caja en contacto directo con los elementos de construcción estructurales de lo contrario ocasionará ruidos no deseados. Coloque Santa Fe Ultra70 sobre soportes para elevar la base del mueble
- Se debe colocar una bandeja de drenaje con un interruptor de flotador debajo del deshumidificador si se instala sobre una sala de estar o sobre un área donde la fuga de agua podría causar daños.



## 2. Consideraciones de Ubicación

- Deje espacio suficiente para manejar las dimensiones generales de la unidad, así como los conductos necesarios de retorno y suministro a la unidad.
- Deje espacio suficiente para retirar el filtro y evitar la obstrucción del flujo de aire
- El acceso al servicio eléctrico requerirá la eliminación de la cubierta exterior. Deje suficiente espacio libre alrededor de la unidad.
- Ubique el deshumidificador en un área donde el cable de 9 pies de la unidad pueda alcanzar fácilmente el tomacorriente.
- Ubique el deshumidificador en un área donde sea posible realizar el cableado de campo del control (voltaje bajo) a la unidad.
- Se requiere una compuerta de contratiro en el conducto de suministro del Santa Fe Ultra70, especialmente cuando se conecta al sistema de conductos de suministro. El regulador de tiro inverso evita que el aire de suministro fluya en sentido contrario a través del Santa Fe Ultra70 cuando no está en funcionamiento. La ubicación del deshumidificador debe elegirse para permitir la instalación de este accesorio si es necesario.
- El Santa Fe Ultra70 se puede suspender con el kit de suspensión o una alternativa adecuada de elementos estructurales,
- asegurándose de que el conjunto soporte la base del deshumidificador en su totalidad. No cuelgue el Santa Fe Ultra70 de su gabinete.
- Permita un drenaje y enrutamiento adecuados de las tuberías de drenaje necesarias.





### 1. Conducto de Ventilación de Aire Exterior

La ventilación de aire exterior es opcional. Si configura la unidad para proporcionar ventilación de aire exterior, consulte la página 10.

### 2. Entrada de Aire de Retorno

Se adjunta a la unidad un collar de conducto de 8" de diámetro.

### 3. Salida de Aire de Suministro

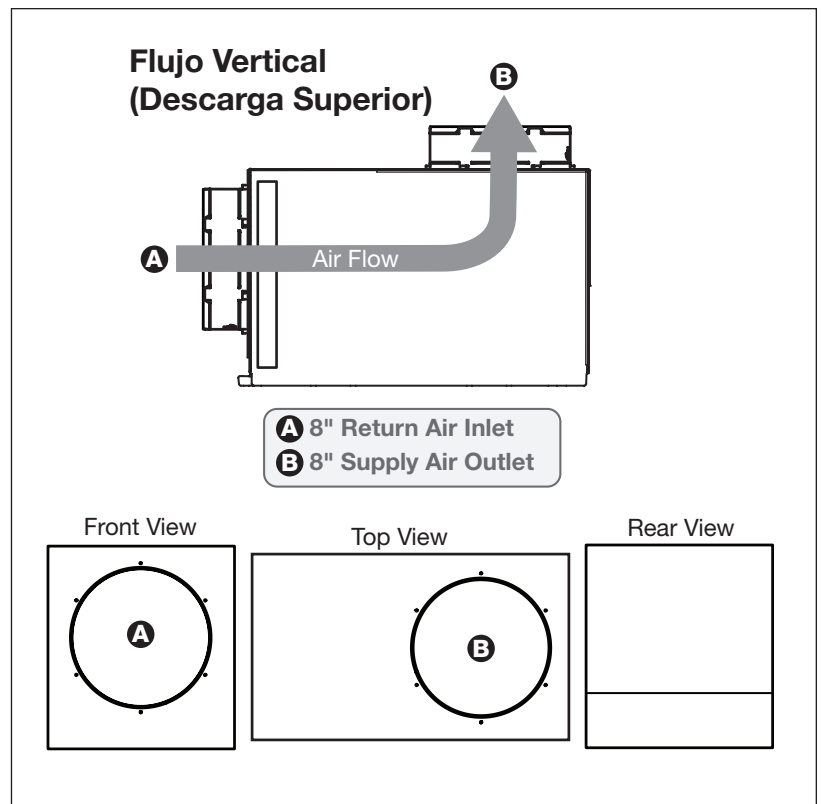
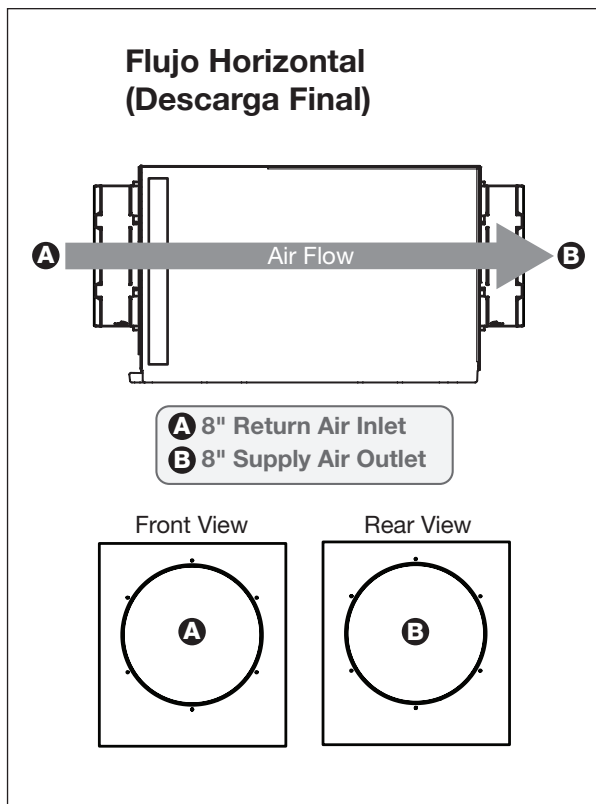
Se adjunta a la unidad un collar de conducto de 8" de diámetro. El panel posterior del deshumidificador se puede girar para permitir el flujo horizontal o vertical del aire de suministro.

### 4. Mediante Flujo Horizontal

La unidad se envía configurada para un flujo continuo horizontal.

### 5. Mediante Flujo Vertical

Retire el panel de escape con una broca torx T20. Gire el panel para que el collar de escape quede ubicado en la parte superior de la unidad. Alinee los orificios de los tornillos y encaje el panel en la base. Asegure el panel de suministro a la base reemplazando los seis tornillos.







Santa Fe Ultra70 se enchufa en un tomacorriente común de 115 V CA con conexión a tierra y consume 5,1 amperios. Ubique el deshumidificador en una área donde el cordón de 9 pies pueda alcanzar con facilidad al tomacorriente de 115 VAC con un mínimo de 15 Amp de circuito de capacidad. Si se usa en una área que pueda mojarse, se recomienda un circuito de GFCI. Consulte códigos eléctricos locales para mayor información.

Santa Fe ofrece un variedad de dispositivos de control para uso con Santa Fe Ultra70. Los controles serán colocados a distancia del deshumidificador y colocado en un espacio acondicionado. Los controles de bajo voltaje (24 voltios) se pueden usar con el Santa Fe Ultra70 y DEBEN conectarse con un cable de termostato de bajo voltaje (calibre 18-22).

## ⚠️ ADVERTENCIA!

LOS CONTROLES REMOTOS DE SANTA FE ULTRA70 SON ALIMENTADOS POR UN CIRCUITO DE BAJO VOLTAJE (24VAC) Y NUNCA DEBEN TENER CONTACTO O SER CONECTADOS A UN CIRCUITO DE ALTO VOLTAJE.

## ⚠️ PRECAUCIÓN!

NO PERMITA QUE EL TERMINAL DE 24V ENTRE EN CONTACTO CON LOS TERMINALES DE COM DE SANTA FE ULTRA70 O EL TRANSFORMADOR SE DAÑARA COMO RESULTADO.

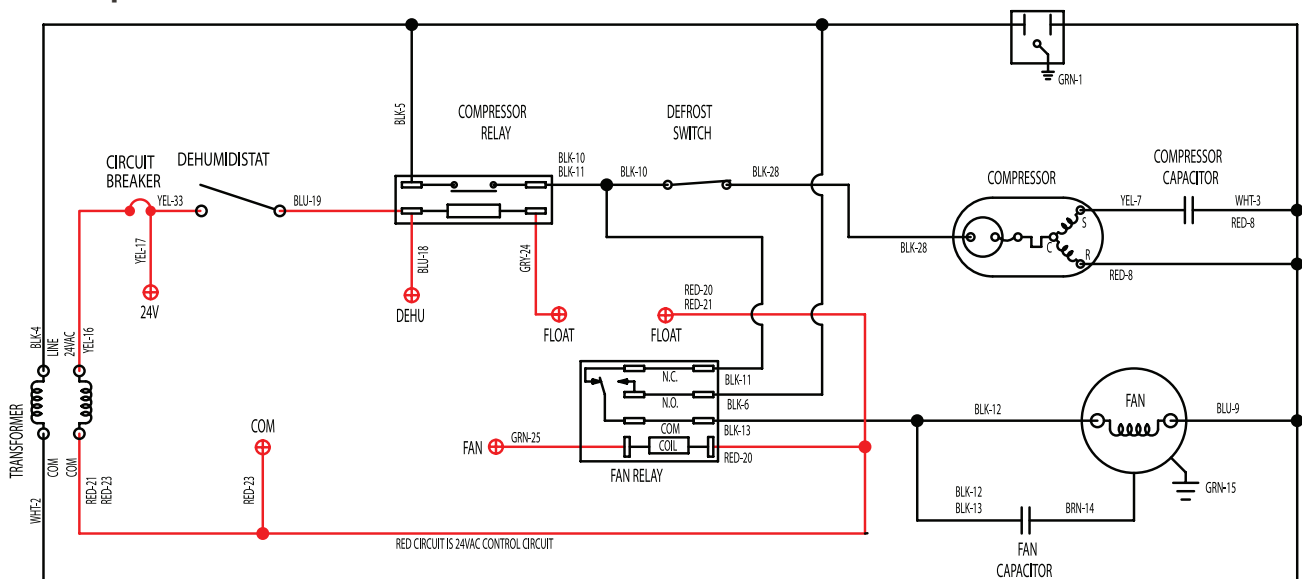
## ⚠️ PRECAUCIÓN!

ALGUNOS DE LOS TORNILLOS DE LOS TERMINALES DE SANTA FE ULTRA70 NO SE PUEDEN USAR CON CIERTOS CONTROLES Y DEBEN DEJARSE DESCONECTADOS.

### 1. Precauciones Eléctricas

- No instale el control donde no pueda detectar con precisión la humedad relativa, como por ejemplo cerca de HVAC registros de suministro, cerca de puertas exteriores, en una pared exterior, cerca de una ventana o cerca de una fuente de agua.
- Los terminales de tornillo en el Santa Fe Ultra70 y el control están etiquetados para evitar confusiones.
- Asegúrese de consultar el esquema eléctrico en la Sección de Controles (página 12) de este manual o dentro del panel de acceso del Santa Fe Ultra70 antes de hacer las conexiones de control.

### 2. Esquema de Cableado



4039827 Rev. A

Santa Fe Ultra70 genera condensado.

Coloque una bandeja secundaria de drenaje con un interruptor de flotador debajo del deshumidificador si está suspendido sobre un área terminada o en un área donde la fuga de agua podría causar daños.

Se requiere una trampa de drenaje para que el deshumidificador funcione correctamente (vea el diagrama a continuación). Instale un adaptador NPT macho roscado de 3/4" en la bandeja de drenaje. Instale un conjunto de tubería de drenaje utilizando una tubería de PVC de 3/4" para transportar el condensado a un drenaje. La inclinación del desagüe debe ser de 1" por 10'.

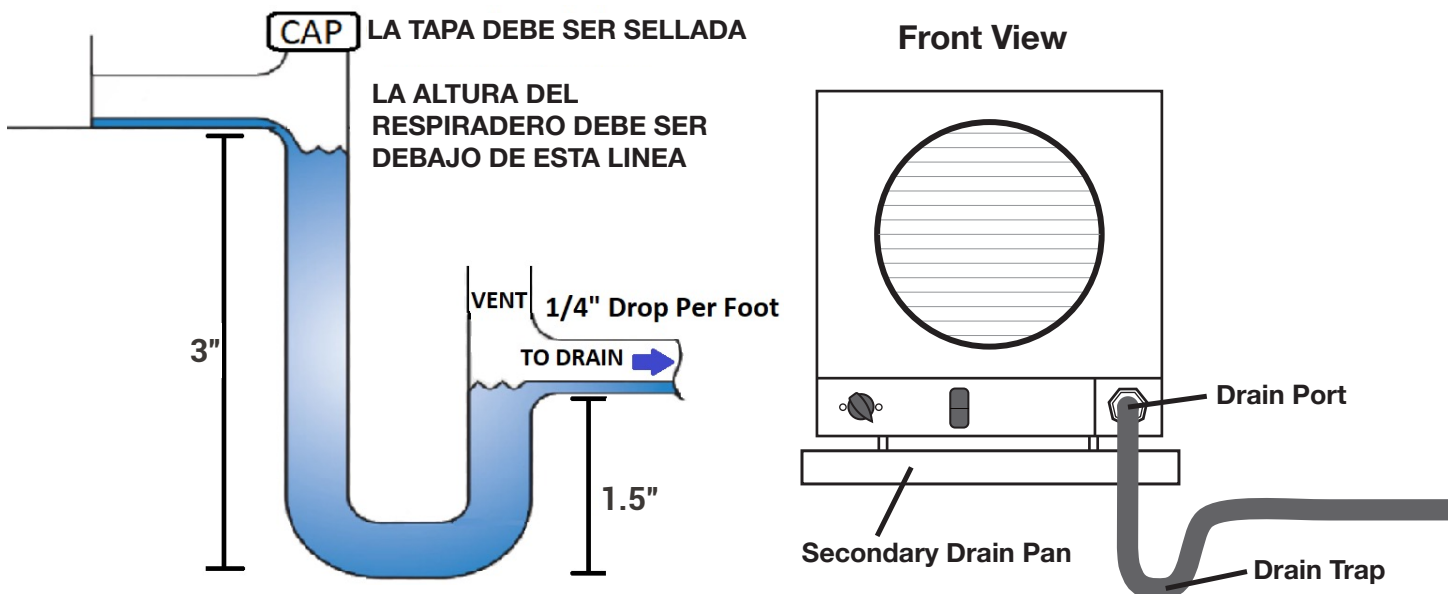
Esta disponible un kit de bomba de condensado opcional para usar con Santa Fe Ultra70 y se puede instalar si una elevación es necesario para eliminar el condensado. El condensado se bombea automáticamente a una ubicación remota cuando el nivel de agua en el reservorio de la bomba se eleva para cerrar el interruptor de flotador.

La bomba también contiene un interruptor de flotador de seguridad. Los conductores blancos de este interruptor se extienden desde por debajo de la cubierta de la bomba. Este interruptor debe instalarse en serie con el cable de campo que se conecta al conductor común de Santa Fe Ultra70 al panel de control. Si la bomba falla, este interruptor abre el circuito de control común y detiene la producción de agua antes de que se desborde el depósito. Comuníquese con un electricista calificado para instalar el interruptor de flotador de seguridad en el deshumidificador Santa Fe Ultra70.

### Instalación de Drenaje

Los deshumidificadores comunmente usan una bandeja de drenaje de presión negativa. Esto hace que el aire fluya hacia atrás a través del sistema de drenaje, lo que puede provocar que el agua se acumule dentro del deshumidificador y produzca una fuga. Una trampa de drenaje evita este problema al atrapar agua en la tubería para evitar que el aire fluya hacia atrás.

Por favor, vea el diagrama de la trampa a continuación. Este montaje se puede realizar con accesorios comunes de tubería de PVC de 3/4". Las medidas de la tubería y la ubicación de la tapa y el respiradero son fundamentales para el funcionamiento de la trampa. Una vez que la trampa esté ensamblada, asegúrese de llenarla con agua.



## ⚠ PRECAUCIÓN!

NO CONECTAR CON UNA PRESIÓN ESTÁTICA SUPERIOR O IGUAL A +0,5 WG. COMUNÍQUESE CON EL APOYO TÉCNICO AL (800) 533-7533 PARA OBTENER DETALLES ADICIONALES.

### Consideraciones de Conductos:

- Todos los ductos flexibles conectados a Santa Fe Ultra70 deben ser listados en UL.
- Se recomienda una pieza corta de conducto flexible en todas las conexiones de conductos Santa Fe Ultra70 para reducir el ruido y la vibración transmitidos a los conductos rígidos de la estructura.
- Utilice un conducto redondo de 8" de diámetro como mínimo o un conducto rectangular equivalente con un total de longitudes de hasta 25'. Utilice un diámetro mínimo de 10" o equivalente para longitudes más largas.
- Las parrillas o difusores en los extremos de los conductos no deben restringir excesivamente el flujo de aire.
- Una longitud de 8" o más de conducto flexible aislado u cualquier otro material aislante de vibraciones en el toma corriente de Santa Fe Ultra70 reducirá el ruido del aire del soplador.
- La deshumidificación efectiva puede requerir que los conductos se ramifiquen a áreas aisladas de flujo de aire estancado. Al canalizar a dos o tres áreas, utilice canalizaciones de derivación de 6" o más de diámetro. Al canalizar a cuatro o más áreas, utilice canalizaciones de derivación de 4" a 6" o más de diámetro. La distribución adecuada del aire es importante para garantizar un control uniforme de la humedad y la distribución del calor en toda la estructura.

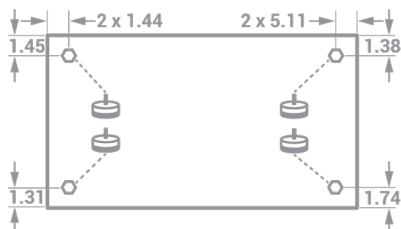
### Decide Donde Ubicar la Unidad.

⚠ PRECAUCIÓN! DEJE SUFICIENTE ESPACIO PARA QUE LA CONEXIÓN DE RETORNO Y SUMINISTRO SE REALICE CORRECTAMENTE

### Escoja el Clima para Ubicar en el Suelo o Colgar el Dehumidificador.

⚠ PRECAUCIÓN! LOS TOPES INTERNOS LIMITAN LA ALTURA DE LOS PIES. NO APRIETE LOS PIES MÁS ALLÁ DE LA RESISTENCIA PROPORCIONADA POR LOS TOPES.

- a. **Si se coloca en el suelo**  
Adhiera los pies de nivelación y use almohadillas de vibración y/o elevadores.



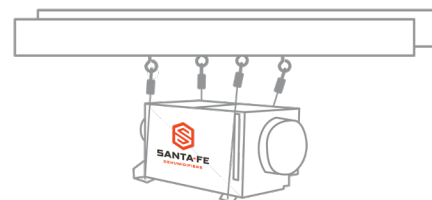
- b. **Si cuelga el Dehumidificador**  
Use 2 Soportes\* Por Unidad.

\* Los soportes son vendidos por separado.



\* NOTA: LOS PIES DE NIVELACION MANTIENEN LOS SOPORTES EN SU SITIO.

Ejemplo de la Opción de Colgado:





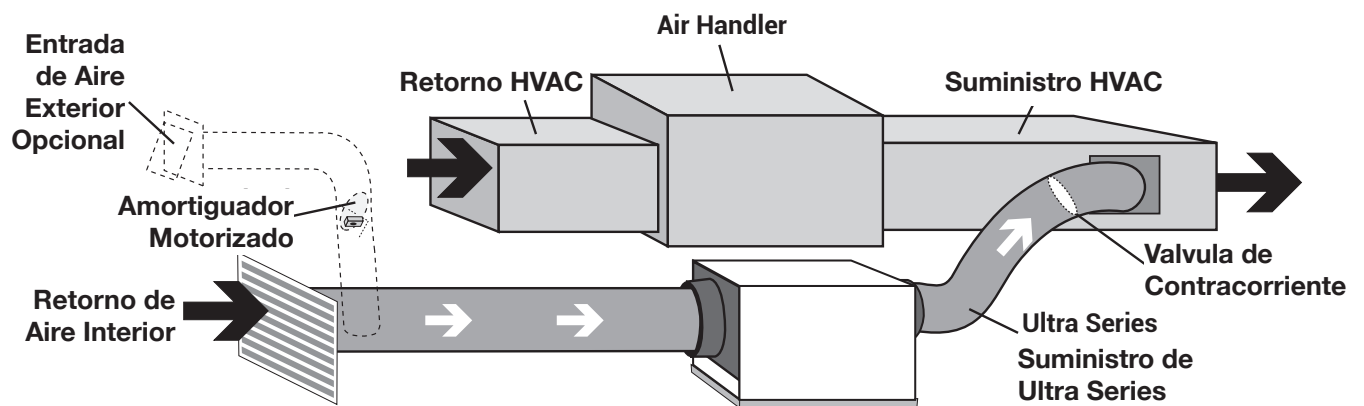
## 1. Instalaciones Recomendadas de Sistemas

### a. Atico

La instalación recomendada extrae el aire de una ubicación central a través de un retorno dedicado al deshumidificador y canaliza el suministro del deshumidificador al suministro de aire del sistema HVAC. Utilice el conducto de ventilación de aire exterior opcional para proporcionar aire exterior.

- Instale un retorno de aire dedicado de 8" para el Santa Fe Ultra70 desde una zona central de la estructura.
- Conducir el suministro de la Santa Fe Ultra70 al suministro del sistema HVAC con una válvula de contracorriente.
- Si el sistema existente tiene múltiples retornos, en lugar de instalar un retorno dedicado al Santa Fe Ultra70, es posible seleccionar uno para desconectar del sistema HVAC existente y usarlo para el retorno dedicado a Santa Fe Ultra70. Seleccione un retorno desde un lugar central de la casa que esté siempre abierto al resto de la estructura. NO utilice un retorno desde una habitación en la que las puertas se mantengan cerradas. NO ubique un retorno en el baño o cocina.
- El control debe ubicarse remotamente del deshumidificador y en un lugar central.

### Dedicación del retorno de Santa Fe al suministro de HVAC



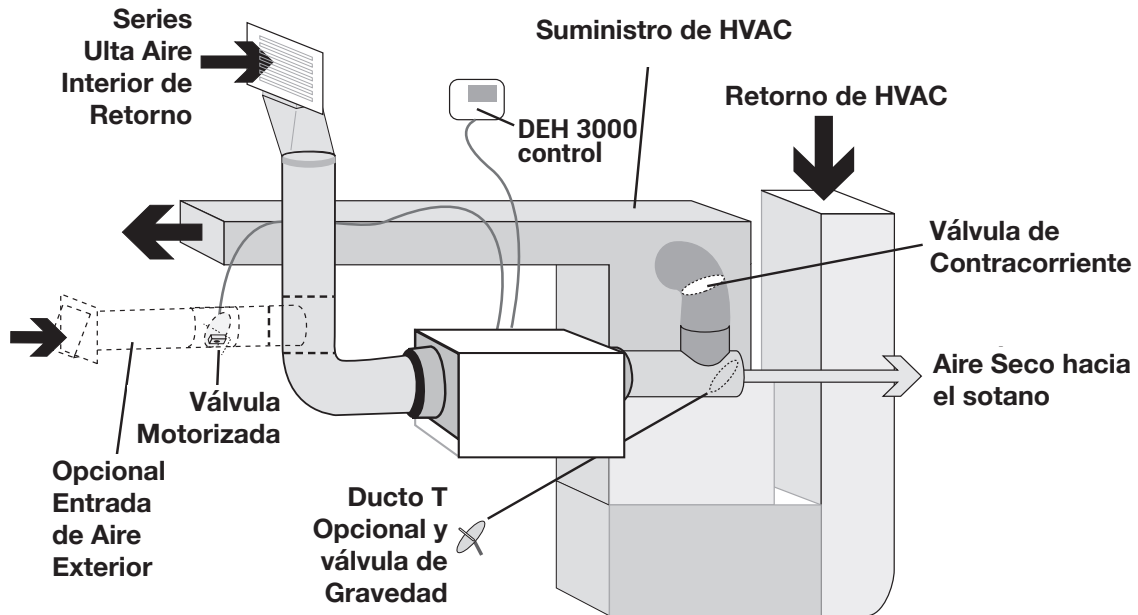


### b. Instalación en un sótano o en un espacio reducido

Instale un retorno separado de 8" para el Ultra70 en una zona central de la estructura. Canalice el suministro del deshumidificador hacia el suministro de aire del sistema HVAC con una compuerta de retorno.

**Optional:** Canalice el suministro del Ultra70 a una te/compuerta de 8" x 8" x 8" con una compuerta de tiro por gravedad, ajustada al 20% de apertura hacia el sótano. PRECAUCIÓN: El aire toma el camino de menor resistencia. Si los niveles superiores de la vivienda no reciben la cantidad adecuada de aire seco, puede ser necesario ajustar esta compuerta. Cuando el deshumidificador no está funcionando, existe la posibilidad de que el aire del sótano o del espacio reducido vuelva a pasar por la compuerta de gravedad y entre en el espacio habitable.

Traducción realizada con la versión gratuita del traductor [www.DeepL.com/Translator](http://www.DeepL.com/Translator)





## 2. Alternativas de la Instalación del Sistema HVAC

Si la instalación recomendada de retorno de la serie Ultra al suministro de HVAC no es posible, hay varias opciones de instalación alternativas disponibles.

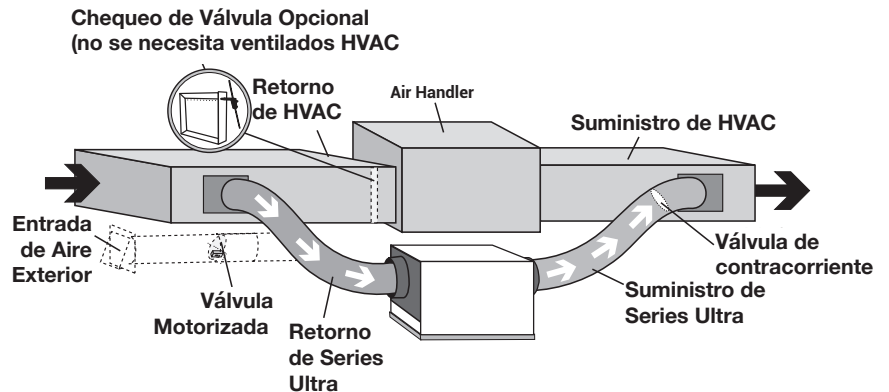
- NO ubique el retorno en el baño o cocina.
- El control debe estar situado a distancia del deshumidificador y colocado en un lugar central.
- Para instalaciones en sótanos y espacios reducidos, se puede instalar una T opcional en el suministro de la Ultra Series.

### a. Retorno de HVAC al Suministro HVAC

La Compuerta de Chequeo debe estar colocada entre las conexiones de retorno y suministro del deshumidificador.

Si la Válvula de Chequeo no está colocada, el ventilador de la HVAC debe prenderse cuando el deshumidificador está en funcionamiento.

Si el sistema es mayor que 0.5" WG el ducto debe ser reconfigurado.

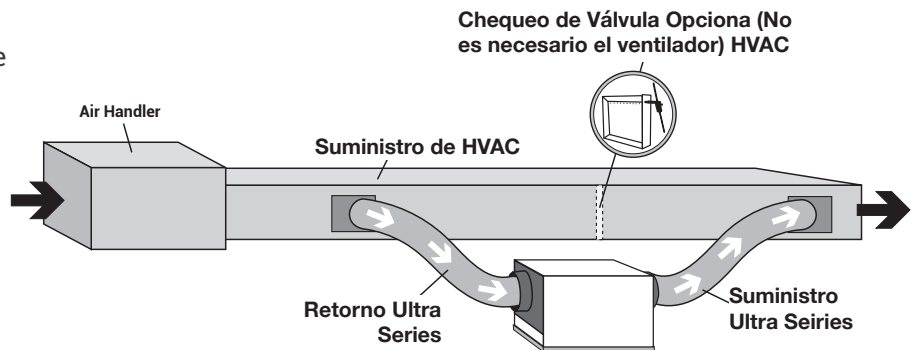


### b. Suministro de HVAC al Suministro de HVAC

#### ⚠ PRECAUCIÓN!

PARA EVITAR QUE EL DESHUMIDIFICADOR ENTRE EN UN CICLO DE DESCONGELACIÓN Y CONGELACIÓN, SE RECOMIENDA QUE LA TEMPERATURA DEL AIRE DE SALIDA DEL SERPENTÍN DEL A/C NO SEA INFERIOR A 55 °F. ADEMÁS, ESTA INSTALACIÓN NO SE RECOMIENDA EN CLIMAS EN LOS QUE EL SISTEMA DE CALEFACCIÓN FUNCIONE DURANTE LA PRIMAVERA Y EL OTOÑO, YA QUE ESTO PODRÍA DISMINUIR LA CAPACIDAD DE ELIMINACIÓN DE AGUA DEL DESHUMIDIFICADOR.

Si la Válvula de Chequeo no está en su lugar, el HVAC fan debe prenderse cuando el deshumidificador está en operación.



#### ⚠ ADVERTENCIA!

DEBIDO A LA RESISTENCIA A LA PRESIÓN NO SE RECOMIENDA UTILIZAR LA ENTRADA DE AIRE EXTERIOR OPCIONAL CUANDO SE INSTALA EL DESHUMIDIFICADOR DE SUMINISTRO A SUMINISTRO.



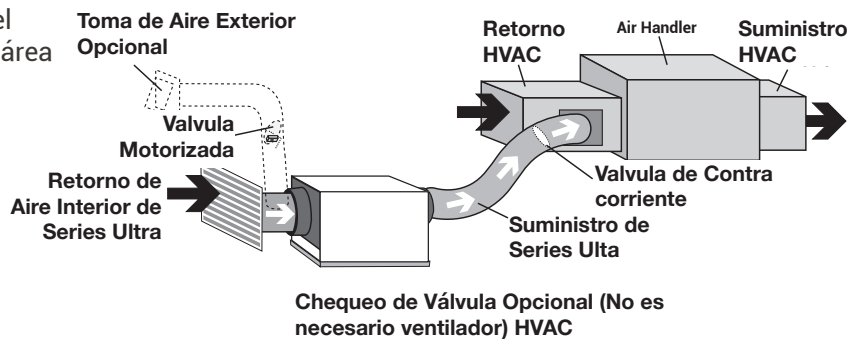
## ⚠ PRECAUCIÓN!

TOME EN CUENTA: LAS INSTALACIONES DE RETORNO A RETORNO SON CONSIDERADOS COMO ULTIMO RECURSO Y NO SON RECOMENDADOS. EL DEHUMIDIFICADOR CALENTARA EL SERPENTIN DE ENFRIAMIENTO DEL AC LO CUAL DISMINUIRA LA CANTIDAD DE AGUA QUE EL SISTEMA DE AC PUDIERA REMOVER CUANDO ESTE EN OPERACION. SI ESTA INSTALACION ES ESCOGIDA, EL DEHUMIDIFICADOR DEBE ACTIVAR EL SOPLADOR DE HVAC Y LAS LLAMADAS DE AC NECESITARAN BLOQUEAR EL FUNCIONNAMIENTO DEL DEHUMIDIFICADOR. POR FAVOR VERIFIQUE LOS CODIGOS LOCALES ANTES DE LA INSTALACION.

### c. Retorno Dedicado de la Serie Ultra al Retorno de HVAC

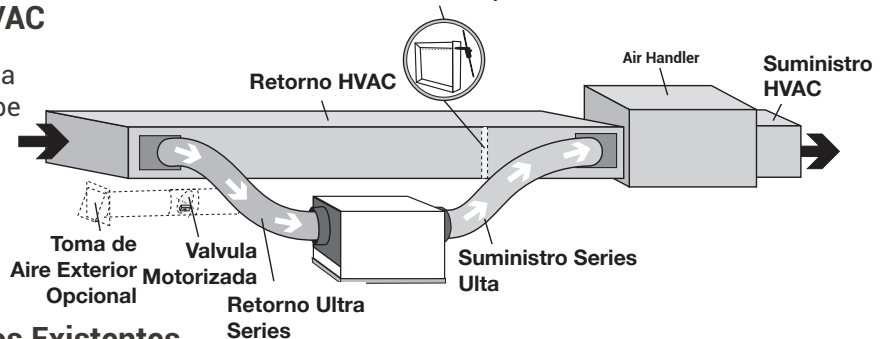
Cree un retorno independiente para el Dehumidificador Ultra Series en una área central del edificio.

Instale el suministro de aire de Dehumidificador de Ultra Series al retorno del sistema de HVAC requiere que el ventilador de HVAC funcione cuando el Dehumidificador este operando.



### d. Retorno HVAC a Retorno HVAC

Si verifica que el amortiguador no esta en su lugar, el ventilador de HVAC debe prenderse cuando el dehumidificador esta en operación.



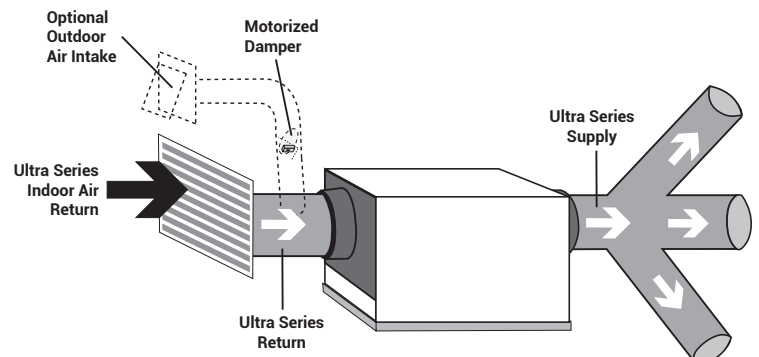
### e. Sin Instalación de Conductos Existentes

Cuando se instala el Dehumidificador Ultra Series en una estructura que no tiene un sistema HVAC de aire-forzado o no está siendo atado al sistema, un único retorno para el Ultra70 debe ser instalado en una ubicación central.

Instale un conducto aislado de 6" desde el exterior, con conexión en T en el conducto de retorno de 8" del deshumidificador de la serie Ultra para proporcionar ventilación de aire exterior (opcional).

El suministro del Dehumidificador de Ultra Series deben ser conducidas a los cuartos de la casa que tengan los cabezales de los minisplits sin conductos y lo más cerca posible de los mismos. Asegúrese de utilizar varias habitaciones para permitir que el aire dentro de la estructura circule adecuadamente. La distribución adecuada del aire es importante para garantizar un control uniforme de la humedad y la distribución del calor en toda la estructura.

- Se recomienda un conducto de 6" de diámetro para las ramas que van a los dormitorios. Se recomienda un conducto de 8" de diámetro para las derivaciones a zonas más grandes.
- NO ubique el retorno en el baño o cocina.
- DO NOT locate the supply in rooms where doors may be closed.
- Control should be located remotely from the dehumidifier and placed in a central location.





## ⚠ WARNING!

CUANDO LA INSTALACION DE DEHUMIDIFICADOR COMO PARTE DE UN SISTEMA DE HVAC WHEN INSTALLING THE DEHUMIDIFIER AS PART OF A COMBUSTION TYPE HVAC SYSTEM (GAS, OIL, PROPANE, ETC.), FOLLOW ALL LOCAL AND NATIONAL BUILDING AND SAFETY CODES.

### 1. Recomendacion de Instalacion de Closet Recommended Closet Installation

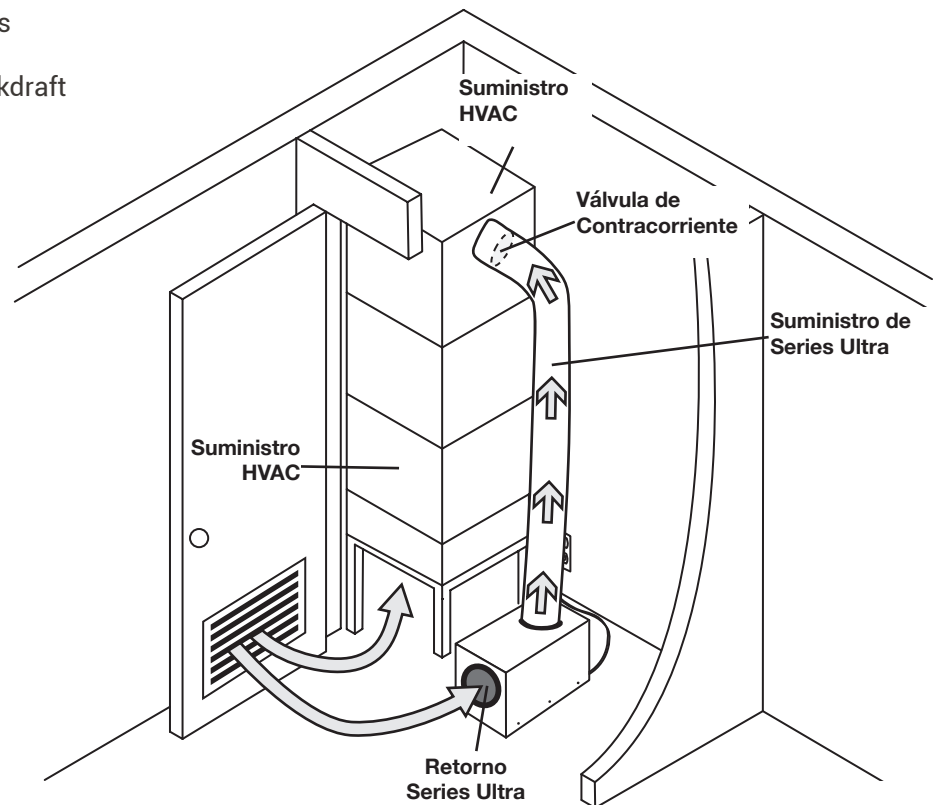
Debido a las limitaciones de espacio, la instalación en un armario puede requerir consideraciones adicionales. Coloque el deshumidificador debajo o al lado del HVAC si el espacio lo permite. Se requiere una ventilación pasiva o una puerta de rejilla para permitir la entrada de aire desde el espacio habitable

Due to space limitations, a closet installation may require additional considerations. Locate the dehumidifier under or next to the HVAC system as space allows. A passive vent or louver door is required to allow air to be pulled in from the living space.

- No se requiere conducto de entrada. El aire se extrae a través de las persianas o la rejilla del espacio habitable.
- El control debe colocarse en una ubicación central o se puede usar el control integrado para esta instalación. Control should be placed in a central location or the onboard control can be used for this installation.
- Cuando el espacio de entrada está restringido, el collar del conducto de entrada es opcional..

### Retorno central al suministro de HVAC //Central Return to HVAC Supply

Duct the supply of the Ultra Series Dehumidifier to the supply of the existing HVAC system with a backdraft damper.







## ⚠ PRECAUCIÓN!

PLEASE NOTE: LAS INSTALACIONES DE RETORNO A RETORNO DEBEN SER CONSIDERADAS OPCIONES DE ÚLTIMO RECURSO Y NO SE RECOMIENDAN. EL DESHUMIDIFICADOR CALENTARÁ LAS SERPENTINES DE ENFRIAMIENTO DEL AC, LO QUE DISMINUYE LA CANTIDAD DE AGUA QUE EL SISTEMA DE AC ELIMINARÁ CUANDO ESTÉ EN FUNCIONAMIENTO. COMPRUEBE SUS CÓDIGOS LOCALES ANTES DE LA INSTALACIÓN.

### 2. Instalación Alternativa de Armario

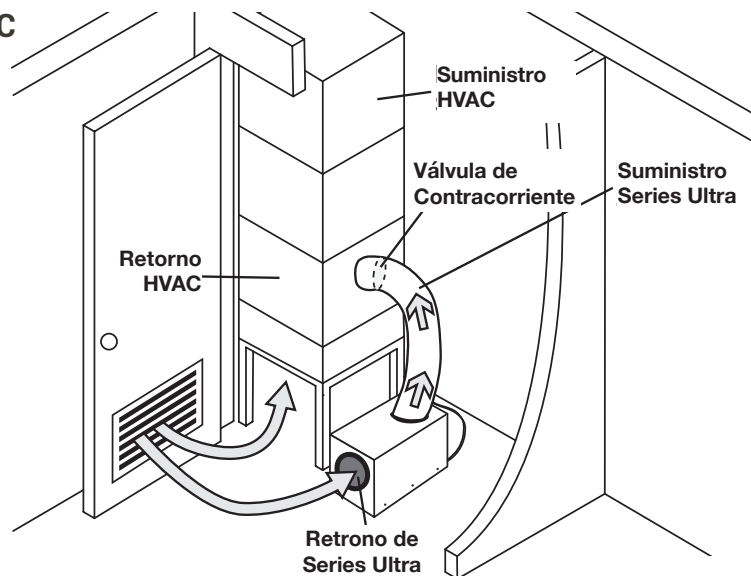
Si la Instalación de Armario no es posible, existe otras opciones como alternativas de instalación disponibles.

- No se requiere conducto de entrada. El aire se extrae a través de las persianas o la rejilla del espacio habitable.
- El control debe colocarse en una ubicación central o se puede usar el control integrado para esta instalación.

#### a. Retorno Central a Retorno HVAC

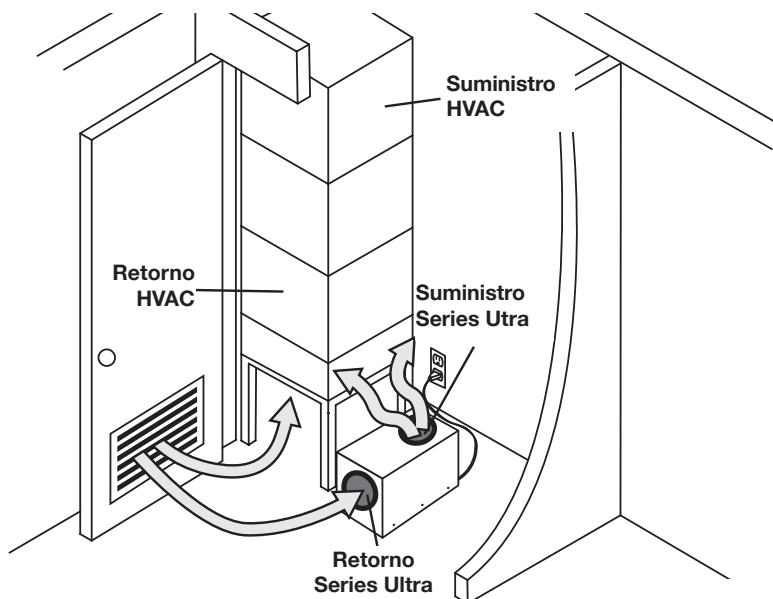
Conduzca el suministro del deshumidificador de Ultra Series al lado de retorno del sistema HVAC existente.

En un sistema de retorno central, el ventilador HVAC debe funcionar cuando el deshumidificador está funcionando.



#### b. Sin conducto: retorno central a retorno HVAC

Fije el conducto de salida con un flujo vertical para que el aire no se descargue en la pared u otra obstrucción. El sistema HVAC extraerá naturalmente el aire deshumidificado del armario y lo distribuirá por toda la estructura.





### Ventilación de aire exterior es opcional.

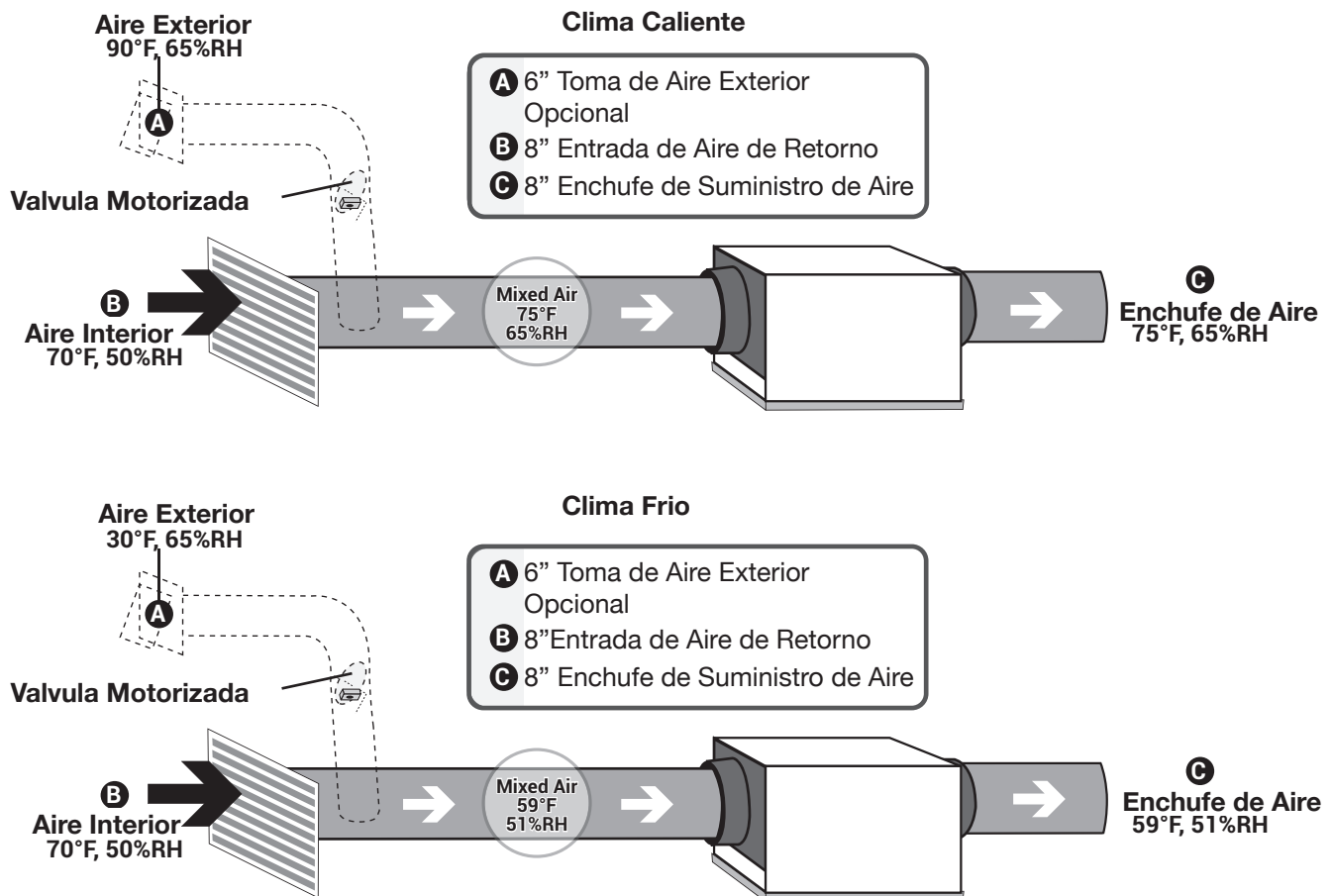
El aire exterior puede ingresar a la estructura conectando un conducto aislado desde el exterior de la estructura a una T ubicada en el conducto de entrada del Santa Fe Ultra70. Se necesita un control de ventilación para programar el tiempo y la frecuencia con la que la unidad introduce aire exterior. El tiempo y la frecuencia de la ventilación deben basarse en el tamaño y la ocupación de la residencia.

El conducto de ventilación de aire exterior de 6" debe encajar en el collarín redondo de 8" en la parte delantera del Santa Fe Ultra70.

- Un conducto aislado de 6" de diámetro puede proporcionar hasta 55 CFM de aire exterior.
- El rendimiento del Santa Fe Ultra70 puede verse afectado por las condiciones del aire interior y exterior.
- Cuando se utiliza un amortiguador motorizado de 6", se requiere un control digital.
- Es posible que sea necesario utilizar conductos de 8" si se requiere aire exterior adicional.
- En climas fríos o cuando el punto de rocío es bajo, se puede utilizar la ventilación para deshumidificar la estructura, lo que hace que el Santa Fe Ultra70 sea capaz de secarse durante todo el año.

### 1. Ventilación de aire exterior con deshumidificador apagado y funcionamiento sólo con ventilador

El aire exterior se mezcla con el aire de retorno antes de comenzar el proceso de deshumidificación. La temperatura interior y exterior y la humedad relativa afectarán las condiciones combinadas del aire de salida.





## 1. Determinar las Necesidades de Ventilación

El requisito de ventilación MÍNIMA se calcula utilizando la norma ASHRAE 62.2-2016. Utilice una o las dos opciones siguientes para determinar su requisito de ventilación. Siga todos los códigos de construcción y seguridad locales y nacionales.

### Option 1: Cálculo del requisito de flujo de aire usando la ecuación de flujo de aire ASHRAE 62.2-2016

ASHRAE Flujo de aire en CFM = [Área de la casa en Sq.Ft. x 0.03] + [(Número de habitaciones + 1) x 7.5]

NOTA: Use 'Número de habitaciones + 1' or 'Número de ocupantes', whichever is larger.

Ejemplo 1: Número of Habitaciones + 1

1800 pies cuadrados de la casa con 3 habitaciones, 4 ocupantes = [1800 X 0.03] + [(3+1) X 7.5] = 84 CFM

Example 2: Número of Ocupantes

1800 pies cuadrados de la casa con 3 habitaciones, 5 ocupantes = [1800 X 0.03] + [5 X 7.5] = 91.5 CFM

### Opción 2: Cálculo del requisito de flujo de aire utilizando la Tabla 4.1 de ASHRAE 62.2-2019

#### Requisitos de Aire de Ventilación CFM

Área del piso (ft <sup>2</sup> )	Número de Habitaciones				
	1	2	3	4	5
<500	30	38	45	53	60
501-1000	45	56	60	68	75
1001-1500	60	68	75	83	90
1501-2000	75	83	90	98	105
2001-2500	90	98	105	113	120
2501-3000	105	113	120	128	135
3001-3500	120	128	135	143	150
3501-4000	135	143	150	158	165
4001-4500	150	158	165	173	180
4501-5000	165	173	180	188	195

Table 4.1 from ASHRAE 62.2-2019

Registre lo requerido CFM \_\_\_\_\_



El Santa Fe Ultra70 cuenta con un control de deshumidistato incorporado, así como la capacidad de conectar un control remoto montado por separado a la unidad.

Si usa el deshumidistato incorporado para controlar la unidad, ubique la unidad en un lugar donde pueda detectar con precisión la humedad del área donde se desea controlar la humedad. Ajuste el control de humedad para que la unidad mantenga el nivel deseado de humedad.

Si el Santa Fe Ultra70 está ubicado fuera del área donde se desea controlar la humedad, considere usar un controlador de humedad con cable remoto que esté ubicado en el área donde se desea controlar la humedad. En esta configuración, el deshumidistato incorporado debe estar apagado. Santa Fe ofrece el control remoto patentado DEH 3000. El DEH 3000 monitorea y controla la humedad relativa y los niveles de ventilación adecuados en su hogar. Este control también está disponible en una versión que tiene capacidad de detección remota llamada DEH 3000R.

**NOTA:** El DEH 3000 se vende por separado. Otros termostatos son compatibles con el Santa Fe Ultra70.

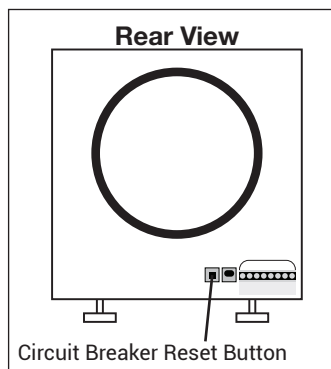
## 1. Controles de Cableado

### ⚠ PRECAUCIÓN!

**NO PERMITA QUE EL TERMINAL DE 24 V DEL SANTA FE ULTRA70 SE COMUNIQUE CON EL COM TERMINAL EN EL SANTA FE ULTRA70 O SE DAÑARÁN LOS TRANSFORMADORES..**

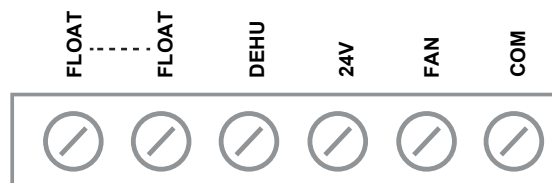
#### a. Disyuntor

- b. Para evitar daños al transformador de control de 24 voltios, el Santa Fe Ultra70 viene con un disyuntor reinicial. Verifique el cableado en busca de cualquier cortocircuito eléctrico y repárelo antes de restablecer el disyuntor. Restablecer el disyuntor sin corregir el cortocircuito eléctrico puede provocar daños en el transformador. Asegúrese de revisar el esquema eléctrico en este manual o dentro del panel de acceso del Santa Fe Ultra70 antes de realizar cualquier conexión de control. El botón de reinicio para el disyuntor se encuentra en la parte posterior de la unidad.



#### b. Conexiones de Control

El control y el Santa Fe Ultra70 están etiquetados para evitar confusiones. Según el control, es posible que no se utilicen algunos de los terminales de tornillo del Santa Fe Ultra70. Asegúrese de consultar el esquema eléctrico en este manual o dentro del panel de acceso del Santa Fe Ultra70 antes de realizar las conexiones de control.





Se debe usar un control de bajo voltaje con el Santa Fe Ultra70

## 2. Operación de control del bloque de terminales

COM	24VAC Lado neutro del transformador de potencia
FAN	Control de Ventilador
24V	Lado Alto del Transformador
DEHU	Control de Dehumidificación (Ventilación y Compresor)
Float	Interruptor de flotador externo de bajo voltaje o sensor de agua. (Utilice un interruptor normalmente cerrado)
Float	Interruptor de flotador externo de bajo voltaje o sensor de agua. (Utilice un interruptor normalmente cerrado)

Entre el cable COM y el TERMINAL 24V hay un transformador de 40VA. Esta fuente de alimentación de bajo voltaje alimenta las bobinas del relé que controlan el ventilador y los compresores. Este transformador de 24 HVAC también se puede usar para alimentar accesorios HVAC externos al deshumidificador.

Compresor ON/Fan On	Hace contacto entre 24V y DEHU terminales
Compresor OFF/Fan On	Hace contacto entre 24V y FAN terminales
Power HVAC Accessory	Connecte el accesorio al COM y 24V terminales

NOTA: Se necesita cable calibre 18 entre el deshumidificador Santa Fe Ultra70 y el control externo.



El Santa Fe Ultra70 está equipado con un filtro de aire MERV-13 (Dimensiones: 0,75" x 9,00" x 11,38"). El filtro debe revisarse y reemplazarse cada tres a seis meses. Operar la unidad con un filtro sucio reducirá la capacidad y eficiencia del deshumidificador.

NO opere la unidad sin el filtro recomendado. El incumplimiento del filtro anula la garantía del producto.

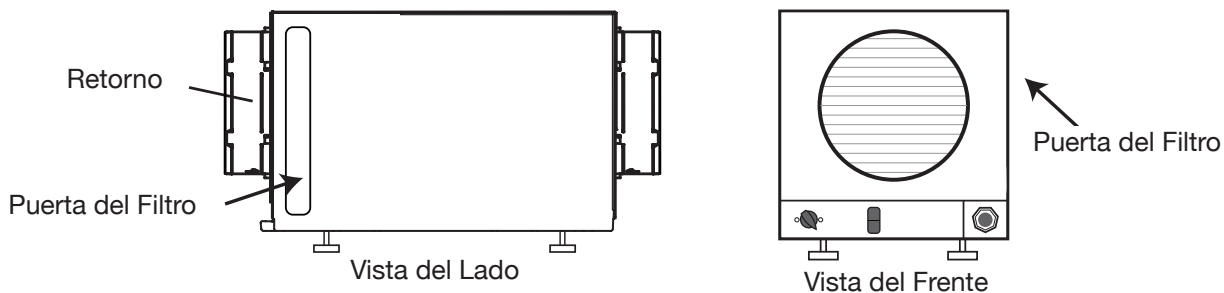
## ⚠ PRECAUCIÓN!

ASEGÚRESE DE QUE LA UNIDAD ESTÉ APAGADA ANTES DE CAMBIAR EL FILTRO.

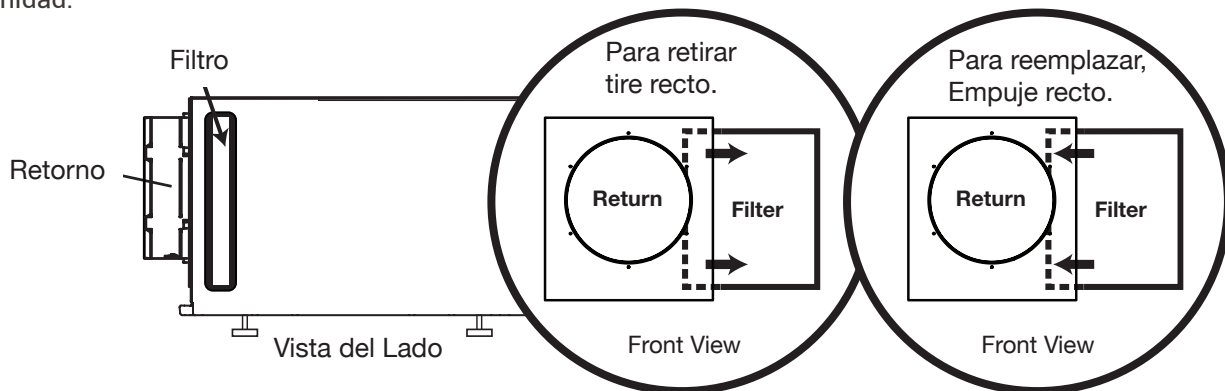
### 1. Cambio de Filtro

Para una mayor filtración y eficiencia del Santa Fe Ultra70, se recomienda reemplazar el filtro de aire cada tres a seis meses con un filtro clasificado MERV-13.

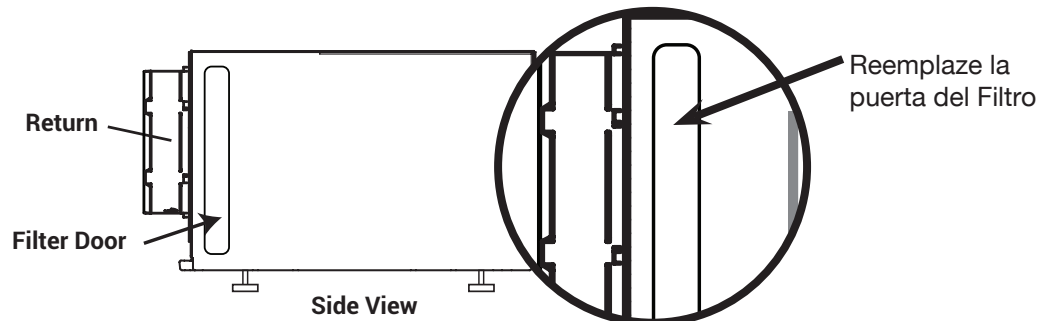
Paso 1: Retire la puerta del filtro de un lado de la Santa Fe Ultra70 presionando el botón a presión y tirando suavemente de la puerta hacia afuera de la unidad. Luego tire hacia arriba para desenganchar la puerta de la ranura.



Paso 2: Retire el filtro tirando suavemente hacia afuera de la unidad. Inserte el filtro nuevo empujándolo suavemente hacia el interior de la unidad. Asegúrese de que la flecha de FLUJO DE AIRE en el filtro apunte hacia la unidad.



Paso 3: Reemplace la puerta del filtro para asegurarse que la abertura este totalmente cerrada





## 2. MERV Gráfico de calificación

Standard 52.5 Informe del Valor mínimo de la Eficiencia	Eficiencia del Punto del Polvo	Arrestance	Típico Contaminante Controlado	Aplicaciones típicas y limitaciones	Tipo típico de filtro/limpiador de aire
20	n/a	n/a	< 0.30 pm Tamaño de Partícula	Cleanrooms	≥99.999% eff. On 10-20 pm Particles
19	n/a	n/a	Virus (Sin adjuntar)	Materiales Radiactivos	Partículas
18	n/a	n/a	Polvo de Carbono	Hombre Farmacéutico.	Partículas
17	n/a	n/a	Todo humo de combustión	Materiales cancerígenos	≥99.97% eff. On 30 pm Partículas
16	n/a	n/a	0.30-1.0 pm Tamaño de Partícula	Cirugía General	Filtro de bolsa-no compatible
15	>95%	n/a	Todas las bacterias	Atención hospitalaria para pacientes hospitalizados	Fibra de vidrio microfina o medios sintéticos, de 12-36 pulgadas de profundidad, de 6-12 cavidades
14	90-95%	>98%	Most Tobacco Smoke	Smoking Lounges	Filtro de caja - Cartucho de estilo rígido
13	89-90%	>98%	Núcleos Prople (Estornudo)	Edificios Comerciales Superiores	Filtros de 6 a 12 pulgadas de profundidad, puede usar medios elevados o de papel
12	70-75%	>95%	1.0-3.0 pm Tamaño de partícula Legionella	Residencial Superior	Filtro de bolsa: no compatible
11	60-65%	>95%	Polvo del humidificador Polvo de plomo	Mejores Edificios Comerciales	Fibra de vidrio microfina o medios sintéticos, de 12-36 pulgadas de profundidad, de 6-12 cavidades
10	50-55%	>95%	Harina Molida		Filtro de caja - Cartucho de estilo rígido
9	40-45%	>90%	Welding Fumes	Laboratorios del Hospital	Filtra de 6 a 12 pulgadas de profundidad, puede usar medios elevados o de papel
8	30-35%	>90%	3.0-10.0 pm Tamaño de partícula	Edificios Comerciales	Filtros plisados-desechables, área de superficie extendida, gruesos con medio de mezcla de algodón y poliéster, marco de cartón
7	25-30%	>90%	Esporas de moho Laca para el cabello	Mejor Residencia	Filtros de cartucho: filtros de bolsillo o de cubo con revestimiento viscoso de densidad graduada, medios sintéticos
6	<20%	85-90%	Protector de tela Ayudas para quitar el polvo		Desechable - Filtro de panel sintético desechable
5	<20%	80-85%	polvo de cemento Mezcla de pudín	Entrada de la cabina de pintura	
4	<20%	75-80%	>10.0 pm Tamaño de partícula de Polen	Filtración Mínima	Desechable - Filtro de panel sintético desechable
3	<20%	70-75%	Acaros de Polvo Polvo Estancado	Residencial	Lavable - Malla de Aluminum
2	<20%	65-70%	Polvo de Pintura Aerosol		
1	<20%	<65%	Fibras Textiles Fibras de Alfombras	Ventanas A/C Unidades	Electrostático - Filtro de panel tejido autocargable

Tabla de Fuente de Datos: United States Environmental Protection Agency



## 1. Solución de problemas

### **PRECAUCIÓN!**

LA SOLUCIÓN DE PROBLEMAS DEBE SER REALIZADA POR UN TÉCNICO CALIFICADO EN HVAC.

Síntoma	Posible Razón	Procedimiento de Solución de Problemas
No funciona ni el ventilador ni el compresor. Deshumidificación se está llamando.	<ol style="list-style-type: none"> <li>1. Dehumificador desenchufado o no hay poder en el enchufe.</li> <li>2. Configuración de Control de Humedad es muy alta.</li> <li>3. Conexión suelta en el cableado interno o de control.</li> <li>4. Relé del compresor defectuoso</li> <li>5. Transformador de control defectuoso.</li> </ol>	<p><b>WARNING!</b></p> <p><b>PELIGRO DE DESCARGA ELÉCTRICA:</b>  <b>La energía eléctrica debe estar presente para realizar algunas pruebas.</b>  <b>Estas pruebas deben ser realizadas por una persona de servicio calificada.</b>  <b>Procedimiento de Solución de Problemas Relacionados con el Control</b></p> <p>Este método de diagnóstico probará los 3 componentes principales del circuito de control individualmente para indicar cualquier problema potencial. Esto se debe usar cuando el control no activará la unidad principal.</p> <ol style="list-style-type: none"> <li>1. Separe las conexiones del cableado de control de campo de los terminales de la unidad principal.</li> <li>2. Conecte los terminales 24V y de FAN juntos; solo debe funcionar el ventilador. Desconecte los terminales.</li> <li>3. Conecte los terminales 24V y DEHU juntos; el ventilador y el compresor deben funcionar. Desconecte los terminales</li> <li>4. Si esta prueba funciona, la unidad principal funciona correctamente desde el punto de vista del control.</li> <li>5. Vuelva a conectar el cableado de control de campo a los terminales de la unidad principal.</li> <li>6. Retire la cubierta del panel de control y desconecte el cableado de campo de las conexiones de control.</li> <li>7. Conecte los terminales 24V y FAN juntos; solo debe funcionar el ventilador. Desconecte los terminales.</li> <li>8. Conecte los terminales 24V y DEHU juntos; ventilador y compresor deben funcionar. Desconecte los terminales.</li> <li>9. Si esta prueba funciona, Entonces cableado de control de campo esta bien.</li> <li>10. Si los problemas persisten, entonces es muy posible que el control este defectuoso.</li> </ol>
El compresor no está funcionando. Se requiere deshumidificación. El ventilador está funcionando.	<ol style="list-style-type: none"> <li>1. Condensador de funcionamiento del compresor defectuoso.</li> <li>2. Conexión suelta en el circuito del compresor.</li> <li>3. Sobrecarga del compresor defectuoso.</li> <li>4. Compresor Defectuoso.</li> <li>5. Termostato de descongelación abierta</li> </ol>	
El compresor se enciende y se apaga. Se requiere deshumidificación.	<ol style="list-style-type: none"> <li>6. Temperatura ambiente y/o humedad bajas que hacen que la unidad pase por el modo de descongelación</li> <li>7. Sobrecarga del compresor defectuoso.</li> <li>8. Compresor Defectuoso.</li> <li>9. Termostato descongelación defectuoso.</li> <li>10. Filtros de aire sucios o flujo de aire restringido</li> <li>11. Ventilador o relé defectuoso.</li> </ol>	
El ventilador no está funcionando. Se requiere deshumidificación o ventilador.	<ol style="list-style-type: none"> <li>1. Conexión suelta en el circuito del ventilador.</li> <li>2. La obstrucción impide la rotación del impulsor del ventilador.</li> <li>3. Ventilador Defectuoso.</li> <li>4. Ventilador de relé defectuoso</li> </ol>	





## Troubleshooting (Continued)

Síntoma	Posible Razón	Procedimiento de Solución de Problemas
Baja capacidad de deshumidificación (el evaporador se escarcha continuamente). Se requiere deshumidificación.	<ol style="list-style-type: none"> <li>1. Termostato de descongelación suelta o defectuosa.</li> <li>2. Baja carga de refrigerante.</li> <li>3. Filtros de aire sucios o flujo de aire restringido.</li> <li>4. Ductos excesivamente restrictivos conectados a la unidad.</li> </ol>	<p><b>¡ADVERTENCIA!</b> <b>PELIGRO DE DESCARGA ELÉCTRICA:</b> La energía eléctrica debe estar presente para realizar algunas pruebas. Estas pruebas deben ser realizadas por una persona de servicio calificada. Procedimiento de resolución de problemas relacionados con el control Este método de diagnóstico se utiliza para comprobar el funcionamiento de los componentes internos del deshumidificador. Esto se debe usar cuando se sospecha un problema de rendimiento.</p> <ol style="list-style-type: none"> <li>1. Configure el controlador de humedad hasta el ajuste más húmedo o en la posición de apagado. ¿Se apagó la unidad?</li> </ol>
Sin ventilación. Se pide ventilación.	<ol style="list-style-type: none"> <li>1. Conexión suelta en el circuito de control de ventilación.</li> <li>2. Conexión floja en el circuito de alimentación de la válvula.</li> <li>3. Válvula de aire exterior defectuosa</li> </ol>	<ol style="list-style-type: none"> <li>2. En caso afirmativo, gire la configuración del ventilador a la posición ON: ¿el ventilador se prende?</li> <li>3. Si el ventilador arranca, déjelo en la posición de ventilador ENCENDIDO y configure la humedad hasta el nivel más seco. Puede que tenga que esperar 5 min. para que el compresor se prenda.</li> </ol>
El deshumidificador elimina algo de agua, pero no tanta como se esperaba.	<ol style="list-style-type: none"> <li>1. La temperatura del aire y/o la humedad han bajado.</li> <li>2. El medidor de humedad o el termómetro utilizados están descalibrados.</li> <li>3. La unidad ha entrado en el ciclo de descongelación.</li> <li>4. Los filtros de aire están sucios o el flujo de aire está restringido.</li> <li>5. Termostato de descongelación defectuoso.</li> <li>6. Baja carga de refrigerante.</li> <li>7. Fuga de aire, como una cubierta suelta o fugas en los conductos.</li> <li>8. Compresor defectuoso.</li> <li>9. Conductos restrictivos</li> </ol>	<ol style="list-style-type: none"> <li>4. Escuche por un zumbido/taradeo distintivo de un compresor que se inicia: ¿escucha este ruido?</li> <li>5. Si el compresor esta funcionando y continúa funcionando, después de aproximadamente 15 minutos, debe sentir un ligero aumento en la temperatura del aire que sale del lado de descarga de aire de la unidad.</li> <li>6. De modo que, según las condiciones ambientales (temperatura/Rh%), debería ver algo de producción de agua fuera de la manguera dentro de los 30 min. approx. (Note: Si la temperatura ambiente es de 55 grados o menos y/o en un área de baja humedad relativa, el deshumidificador producirá poca o nada de agua).</li> <li>7. La recolección del agua eliminada en un período de 24 horas dará una medida del rendimiento.</li> </ol>

## 2. Carga Refrigerante



### **ADVERTENCIA!**

**MANTENIMIENTO DEL SANTA FE ULTRA70 CON SU SISTEMA DE REFRIGERANTE DE ALTA PRESIÓN Y LOS CIRCUITOS DE ALTO VOLTAJE PRESENTAN UN PELIGRO PARA LA SALUD QUE PODRÍA PROVOCAR LA MUERTE, LESIONES CORPORALES GRAVES Y/O DAÑOS A LA PROPIEDAD. EL SERVICIO DEBE SER REALIZADO POR UN TÉCNICO DE SERVICIO CALIFICADO.**

Si la carga de refrigerante se pierde debido al servicio o a una fuga, se debe reparar la fuga y se debe pesar con precisión una nueva carga. Si queda parte de la carga anterior en el sistema, se debe recuperar antes de pesar la nueva carga. Consulte la placa de identificación de la unidad para conocer el peso de carga y el tipo de refrigerante correctos.



La Garantía limitada. Therma-Stor, LLC ("Therma-Stor") garantiza lo siguiente: (i) el deshumidificador Santa Fe Ultra70 ("Producto") estará libre de defectos materiales en mano de obra o materiales por un período de dos (2) años ("Garantía de dos años") después de la fecha de compra inicial de dicho Producto por parte de un cliente original que compró a Therma-Stor o un revendedor autorizado ("Cliente"); y (ii) los componentes del Producto estarán libres de defectos materiales en la mano de obra o los materiales durante un período de seis (6) años a partir de la fecha de compra inicial de dicho Producto por parte del Cliente.

Limitación de Remedios. EL ÚNICO Y EXCLUSIVO RECURSO DEL CLIENTE BAJO LA GARANTÍA LIMITADA ANTERIOR Y LA TOTAL RESPONSABILIDAD DE THERMASTOR EN VIRTUD DE LA MISMA, SERÁ, A OPCIÓN EXCLUSIVA DE THERMA-STOR, EL REEMPLAZO O LA REPARACIÓN DE DICHO PRODUCTO O SUS COMPONENTES ("COMPONENTES") POR THERMA-STOR O THERMA -SOLO AGENTES DE ALMACENAMIENTO. NO SE INCLUYEN REFRIGERANTE, TUBERÍAS, SUMINISTROS, COSTOS DE TRANSPORTE, COSTOS DE MANO DE OBRA INCURRIDOS EN LA REPARACIÓN O REEMPLAZO DE DICHS COMPONENTES. ESTA EXENCIÓN DE RESPONSABILIDAD Y EXCLUSIÓN SE APLICARÁ INCLUSO SI LA GARANTÍA EXPRESA Y EL RECURSO LIMITADO ESTABLECIDOS AQUÍ NO CUMPLAN CON SU PROPÓSITO ESENCIAL. EL CLIENTE RECONOCE QUE NINGÚN REPRESENTANTE DE THERMA-STOR O DE SUS AFILIADOS O REVENDEDORES ESTÁ AUTORIZADO A REALIZAR NINGUNA REPRESENTACIÓN O GARANTÍA EN NOMBRE DE THERMA-STOR O CUALQUIERA DE SUS AFILIADOS O REVENDEDORES QUE NO ESTÉ EN ESTE ACUERDO. Sin perjuicio de lo anterior, únicamente durante el plazo de la Garantía de dos años, Therma-Stor proporcionará, sin costo alguno para el Cliente, todos los Componentes y la mano de obra (excepto los costos relacionados con la extracción e instalación del Producto) necesarios para cumplir con sus obligaciones en virtud de dichos Dos años. -Año de Garantía.

Renuncia de garantías. A EXCEPCIÓN DE LA GARANTÍA LIMITADA ANTERIOR, QUE ES LA ÚNICA Y EXCLUSIVA GARANTÍA PROPORCIONADA CON RESPECTO AL PRODUCTO Y SUS COMPONENTES, THERMA-STOR RENUNCIA A TODAS LAS GARANTÍAS EXPLÍCITAS E IMPLÍCITAS, INCLUYENDO, SIN LIMITACIÓN, LAS GARANTÍAS IMPLÍCITAS DE COMERCIABILIDAD E IDONEIDAD PARA UN FIN DETERMINADO .

Limitaciones de la garantía. La garantía limitada anterior se extiende solo a un Cliente y será nula y sin efecto en caso de intento de cesión o transferencia. Un "defecto" según los términos de la garantía limitada no incluirá problemas que resulten del uso indebido, instalación incorrecta, diseño incorrecto de cualquier sistema en el que se incluye el Producto, abuso del Cliente o de los empleados del Cliente, agentes, invitados o terceros. , falta de cuidado normal, incumplimiento de las instrucciones escritas, alteración, reparación inadecuada o congelación, corrosión, actos de la naturaleza u otras causas que no surjan de defectos en la mano de obra o el material de Therma-Stor. Si se reemplaza un Producto o Componente mientras está bajo garantía, el período de garantía limitada aplicable no se extenderá más allá del período de tiempo de garantía original. La garantía limitada no cubre ningún costo relacionado con los cambios a un Producto o Componente que puedan ser requeridos por cualquier código, ley o reglamento que pueda entrar en vigencia después de la compra inicial del Producto por parte del Cliente.

Responsabilidades del cliente. Como condición adicional para obtener la cobertura de la garantía en virtud del presente, el Cliente debe enviar un reclamo de garantía válido a Therma-Stor de modo que Therma-Stor reciba dicho reclamo antes del final del período de garantía correspondiente. Therma-Stor no tendrá ninguna obligación en virtud del presente con respecto a cualquier reclamo recibido por Therma-Stor después de la expiración del período de garantía aplicable. Como condición adicional para obtener la cobertura de la garantía en virtud del presente, el Cliente debe presentar formularios de facturas que evidencien la compra de un Producto. Si dichas facturas no indican claramente la fecha de compra inicial por parte de un Cliente, se utilizará la fecha de fabricación del Producto aplicable en lugar de la fecha de compra inicial para calcular el comienzo del período de garantía aplicable. El servicio de garantía debe ser realizado por Therma-Stor o un técnico de servicio autorizado por Therma-Stor. Para obtener el servicio de garantía, el Cliente debe llamar a Therma-Stor al 1-800-533-7533 y solicitar hablar con el Departamento de Servicio de Productos de Therma-Stor, que luego coordinará el servicio de garantía correspondiente. El servicio de garantía se realizará durante el horario habitual de trabajo diurno. Si el Producto debe enviarse para el servicio, el Cliente será el único responsable del embalaje adecuado del Producto, de todos los cargos de flete y de todo riesgo de pérdida asociado con el envío.

Limitación de responsabilidad. EN NINGÚN CASO THERMA-STOR, EN RELACIÓN CON EL DISEÑO, LA VENTA, LA INSTALACIÓN, EL USO, LA REPARACIÓN, EL REEMPLAZO O EL RENDIMIENTO DE CUALQUIER PRODUCTO, COMPONENTE, PARTE DEL MISMO O MATERIAL ESCRITO SUMINISTRADO CON EL MISMO, SERÁ RESPONSABLE, EN LA MEDIDA EN QUE LO PERMITA LA LEY APLICABLE, BAJO NINGUNA TEORÍA LEGAL POR CUALQUIER DAÑO ESPECIAL, DIRECTO, INDIRECTO, COLATERAL O CONSECUENTE DE CUALQUIER TIPO. SIN PERJUICIO DE LAS LIMITACIONES Y GARANTÍAS ANTERIORES, LA ÚNICA Y EXCLUSIVA RESPONSABILIDAD DE THERMA-STOR, INDEPENDIEMENTE DE LA NATURALEZA O LA TEORÍA DEL RECLAMO, BAJO NINGUNA CIRCUNSTANCIA EXCEDERÁ EL PRECIO DE COMPRA DEL PRODUCTO, COMPONENTE O PIEZA SOBRE EL CUAL SE BASA EL RECLAMO.

Ley Aplicable y Jurisdicción. CUALQUIER ARBITRAJE, CUMPLIMIENTO DE UN ARBITRAJE O LITIGIO RELACIONADO CON EL PRODUCTO SERÁ INTRODUCIDO EXCLUSIVAMENTE EN EL CONDADO DE DANE, WISCONSIN, Y EL CLIENTE CONSIENTE A LA JURISDICCIÓN DE LOS TRIBUNALES FEDERALES Y ESTATALES UBICADOS EN EL MISMO, SE SOMETE A LA JURISDICCIÓN DE LOS MISMOS Y RENUNCIA AL DERECHO DE CAMBIAR EL LUGAR . EL CLIENTE ADEMÁS ACEPTA EL EJERCICIO DE LA JURISDICCIÓN PERSONAL POR CUALQUIER TRIBUNAL CON RESPECTO A CUALQUIER PROCEDIMIENTO..

Misceláneas. Si un tribunal de jurisdicción competente determina que algún término o condición de esta Garantía limitada es inválido, ilegal o inaplicable de otro modo, esto no afectará a los demás términos o condiciones del presente o la totalidad de esta Garantía limitada. Cualquier demora o incumplimiento por parte de Therma-Stor de ejercer cualquier derecho o recurso no constituirá una renuncia de Therma-Stor a hacer valer dichos derechos en lo sucesivo.

Estas traducciones son solo de referencia, cualquier obligación legal es en inglés.





**IMPORTANT WARRANTY INFORMATION - DO NOT DISCARD**

**REGISTER YOUR PRODUCT.**

**WARRANTY**

**WARRANTY**

SERIAL  
NUMBER ▶

PART  
NUMBER ▶

[www.thermastor.com/registration](http://www.thermastor.com/registration)

**Register your product  
using the serial number  
and part number above at  
[www.thermastor.com/registration](http://www.thermastor.com/registration)**

**This is important  
Warranty Information.  
Please DO NOT DISCARD!**

Santa-Fe-Products.com  
1.800.533.7533

